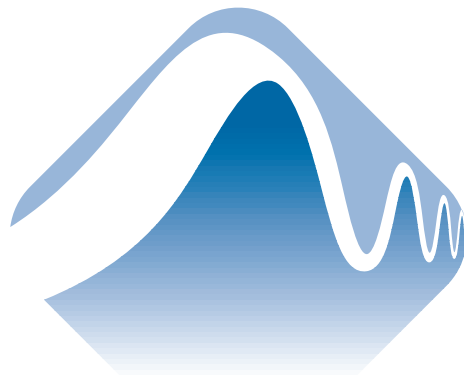


**PCIM-DAS1602/16**

**ANALOG & DIGITAL I/O BOARD**

**for the PCI Bus**

**User's Manual**



**MEASUREMENT  
COMPUTING™**

Revision 2  
© Copyright September, 2000

## LIFETIME WARRANTY

Every hardware product manufactured by Measurement Computing Corp. is warranted against defects in materials or workmanship for the life of the product, to the original purchaser. Any products found to be defective will be repaired or replaced promptly.

## LIFETIME HARSH ENVIRONMENT WARRANTY™

Any Measurement Computing Corp. product which is damaged due to misuse may be replaced for only 50% of the current price. I/O boards face some harsh environments, some harsher than the boards are designed to withstand. When that happens, just return the board with an order for its replacement at only 50% of the list price. Measurement Computing Corp. does not need to profit from your misfortune. By the way, we will honor this warranty for any other manufacture's board that we have a replacement for!

## 30 DAY MONEY-BACK GUARANTEE

Any Measurement Computing Corp. product can be returned within 30 days of purchase for a full refund of the price paid for the product being returned. If you are not satisfied, or chose the wrong product by mistake, you do not have to keep it. Please call for a RMA number first. No credits or returns accepted without a copy of the original invoice. Some software products are subject to a repackaging fee.

These warranties are in lieu of all other warranties, expressed or implied, including any implied warranty of merchantability or fitness for a particular application. The remedies provided herein are the buyer's sole and exclusive remedies. Neither Measurement Computing Corp., nor its employees shall be liable for any direct or indirect, special, incidental or consequential damage arising from the use of its products, even if Measurement Computing Corp. has been notified in advance of the possibility of such damages.

MEGA-FIFO, the CIO prefix to data acquisition board model numbers, the PCM prefix to data acquisition board model numbers, PCM-DAS08, PCM-D24C3, PCM-DAC02, PCM-COM422, PCM-COM485, PCM-DMM, PCM-DAS16D/12, PCM-DAS16S/12, PCM-DAS16D/16, PCM-DAS16S/16, PCI-DAS6402/16, Universal Library, InstaCal, Harsh Environment Warranty and Measurement Computing are registered trademarks of Measurement Computing Corp.

IBM, PC, and PC/AT are trademarks of International Business Machines Corp. Windows is a trademark of Microsoft Corp. All other trademarks are the property of their respective owners.

Information furnished by Measurement Computing Corp. is believed to be accurate and reliable. However, no responsibility is assumed by Measurement Computing Corp. neither for its use; nor for any infringements of patents or other rights of third parties, which may result from its use. No license is granted by implication or otherwise under any patent or copyrights of Measurement Computing Corp.

All rights reserved. No part of this publication may be reproduced, stored in a retrieval system, or transmitted, in any form by any means, electronic, mechanical, by photocopying, recording or otherwise without the prior written permission of Measurement Computing Corp.

### **Notice**

*Measurement Computing Corp. does not authorize any Measurement Computing Corp. product for use in life support systems and/or devices without the written approval of the President of Measurement Computing Corp. Life support devices/systems are devices or systems which, a) are intended for surgical implantation into the body, or b) support or sustain life and whose failure to perform can be reasonably expected to result in injury. Measurement Computing Corp. products are not designed with the components required, and are not subject to the testing required to ensure a level of reliability suitable for the treatment and diagnosis of people.*

# Table of Contents

<b>1 INTRODUCTION</b>	1
<b>2. INSTALLATION &amp; CONFIGURATION</b>	1
2.1 BASE I/O ADDRESS & INTERRUPT LEVEL	1
2.2 1/10 MHZ XTAL JUMPER	2
2.3 8/16 CHANNEL SELECT	2
2.4 BIPOLAR/UNIPOLAR AND GAIN SETTING	3
2.5 CONVERSION START, EDGE SELECT	3
2.6 D/A CONVERTER REFERENCE & SSH JUMPER BLOCK	3
2.8 TESTING THE INSTALLATION	5
2.9 CALIBRATION	5
<b>3 SOFTWARE</b>	6
3.1 CUSTOM SOFTWARE USING THE UNIVERSAL LIBRARY	6
3.2 FULLY INTEGRATED SOFTWARE PACKAGES (E.G., SOFTWIRETM)	6
3.3 DIRECT REGISTER LEVEL PROGRAMMING	6
<b>4 CONNECTOR PIN OUTS</b>	7
4.1 MAIN CONNECTOR DIAGRAM	7
4.2 DIGITAL I/O CONNECTOR	8
<b>5 ANALOG CONNECTIONS</b>	8
5.1 ANALOG INPUTS	9
5.1.1 Single-Ended and Differential Inputs	9
5.1.2 System Grounds and Isolation	12
5.2 WIRING CONFIGURATIONS	14
5.2.1 Common Ground / Single-Ended Inputs	15
5.2.2 Common Ground / Differential Inputs	15
5.2.3 Common Mode Voltage < +/-10V / Single-Ended Inputs	16
5.2.4 Common Mode Voltage < +/-10V / Differential Inputs	16
5.2.5 Common Mode Voltage > +/-10V	16
5.2.6 Isolated Grounds / Single-Ended Inputs	17
5.2.7 Isolated Grounds / Differential Inputs	18
5.3 ANALOG OUTPUTS	18
<b>6 REGISTER ARCHITECTURE</b>	20
6.1 OVERVIEW	20
6.2 BARD1 REGISTER	20
6.3 BADR2 REGISTERS	21
6.4 BADR3 REGISTERS	23
6.5 BADR4 PORT I/O REGISTERS	31
<b>7 CALIBRATION AND TEST</b>	34
7.1 REQUIRED EQUIPMENT	34
7.2 CALIBRATING THE A/D & D/A CONVERTERS	34
<b>8 ANALOG ELECTRONICS</b>	35
8.1 VOLTAGE DIVIDERS	35
8.2 LOW PASS FILTERS	36
<b>9. SPECIFICATIONS</b>	37

This page is blank.

# 1 INTRODUCTION

---

---

The PCIM-DAS1602/16 is a multifunction measurement and control board designed to operate in computers with PCI bus accessory slots. The architecture of the boards is loosely based on the original CIO-DAS16; the standard of ISA bus data acquisition. Much has changed due to improvements in technology.

The PCIM-DAS1602/16 is easy to use. This manual will help you quickly and easily setup, install and test your board. We assume you already know how to open the PC and install expansion boards. If you are unfamiliar or uncomfortable with board installation, please refer to your computer's documentation.

This manual will show you how to properly set the switches and jumpers on the board prior to physically installing the board in your computer.

## 2. INSTALLATION & CONFIGURATION

---

---

The PCIM-DAS1602/16 has a number of switches and jumpers to set before installing the board in your computer.

The board has a variety of switches and jumpers to set before installing the board in your computer. By far the simplest way to configure your board is to use the *InstaCal*<sup>™</sup> program provided as part of your software package. *InstaCal*<sup>™</sup> will show you all available options, how to configure the various switches and jumpers to match your application requirements, and will create a configuration file that your application software (and the Universal Library) will refer to so the software you use will automatically know the exact configuration of the board.

Please refer to the *Software Installation Manual* regarding the installation and operation of *InstaCal*<sup>™</sup>. The following hard copy information is provided as a matter of completeness, and will allow you to set the hardware configuration of the board if you do not have immediate access to *InstaCal*<sup>™</sup> and/or your computer.

---

---

### 2.1 BASE I/O ADDRESS & INTERRUPT LEVEL

The PCIM-DAS1602/16 uses a number of addresses (Base Address Regions or BADRs) and one interrupt. The addresses are allocated by the PCI plug & play procedure and may not be modified. If you have installed ISA bus boards in the past you are familiar with the need to select a base address and interrupt level. On PCI systems it is not required to select a base address and ensure that it does not conflict with an installed port. In PCI systems, the operating software and installation software do the selection and checking for you.

The computer BIOS selects and sets the I/O address and interrupt level from the range of available addresses. This address and other information is read by InstaCAL and stored in the configuration file

CB.CFG. This file is accessed by the Universal Library for programmers. Note also that the Universal Library is the I/O board interface for packaged applications such as SoftWIRE, and Agilent-VEE, therefore the InstaCal settings must be made in order for these and other applications to run.

The base address and interrupt level are also stored in the system software. Once InstaCal installation software is run, other programming methods such as direct IN and OUT statements can write and read the PCIM-DAS1602/16 registers by reference to the base address and the offset from base address corresponding to the chart of registers located elsewhere in this manual.

But a word of warning is in order here. Direct writes to the addresses simply by reference to the base address of the PCIM-DAS1602/16 I/O registers is not advised. Since the addresses assigned by the PCI plug & play software are not under your control, there is no way to guarantee that your program will run in any other computer.

Not only that, but if you install another PCI board in a computer after the PCIM-DAS1602/16 addresses have been assigned, those addresses may be moved by the plug & play software when the second board is installed. It is best to use a library such as Universal Library or a program such as SoftWIRE, DasWizard, or Agilent-VEE to make measurements with your PCIM-DAS1602/16.

---



---

## 2.2 1/10 MHz XTAL JUMPER

The 1/10 MHz XTAL jumper selects the frequency of the square wave used as a clock by the A/D pacer circuitry (Figure 2-1). This pacer circuitry controls the sample timing of the A/D. The internal pacer output driving the A/D converter is also available at the CTR 3 Output (pin 20) on the main connector. Select 10 MHz unless you have reason to do otherwise.

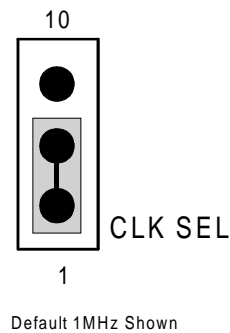


Figure 2-1. 1 or 10 MHz Select Jumper

---



---

## 2.3 8/16 CHANNEL SELECT

The analog inputs of the PCIM-DAS1602/16 can be configured as eight differential or 16 single-ended channels. Use the single-ended input mode if you have more than eight analog inputs to sample. Using the differential input mode allows up to 10 volts of common mode (ground loop) rejection and will provide better noise immunity.

The PCIM-DAS1602/16 comes from the factory configured for 16 single-ended inputs. The 8/16 switch is shown in the 8-channel position in Figure 2-2. Set it for the type and number of inputs you desire.

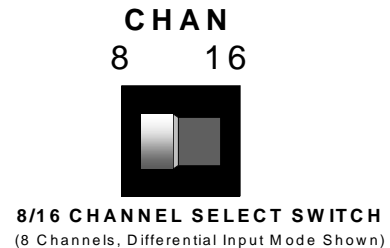


Figure 2-2. 8/16 Channel Select Switch

---

---

## 2.4 BIPOLAR/UNIPOLAR AND GAIN SETTING

The Bipolar or Unipolar configuration of the A/D converter is set by switch S2 (Figure 2-3). The switch controls all A/D channels. Though you cannot run some channels bipolar and some unipolar, you can measure a unipolar input in the bipolar mode. (e.g. you can monitor a 0 to 5V input with a +/-5 V channel)

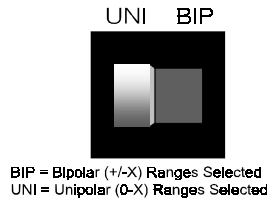


Figure 2-3. Bipolar/Unipolar Select Switch

The input amplifier gain is selectable by software.

---

---

## 2.5 CONVERSION START, EDGE SELECT

The original Keithley MetraByte DAS-1600 was designed such that A/D conversion was initiated on the falling edge of the convert signal. Neither the original DAS-16, nor any of the other DAS-16 derivative converts on the falling edge. In fact, we are not aware of any A/D board that uses the falling edge to initiate the A/D conversion.

When using the falling edge to start the conversion, the A/D may be falsely triggered by 8254 pacer clock initialization glitching (easy to avoid but a real possibility in the DAS-1600). Converting on the falling edge mode also may lead to timing differences if the PCIM-DAS1602/16 board is being used as a replacement for an older DAS16 series board. Because using the falling edge trigger was undesirable, we have designed a jumper into the PCIM-DAS1602/16 which allows you choose the edge that starts the A/D conversion. The PCIM-DAS1602/16 is shipped with this jumper in the rising edge position.

Figure 2-4 to the right shows the edge selection options.

For compatibility with all third party packages, with all DAS-16 software and with PCIM-DAS1602/16 software, leave this jumper in the rising edge position.

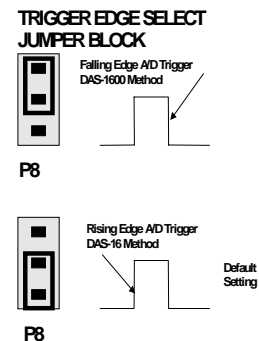


Figure 2-4. Trigger Edge-Select Jumper

---

---

## 2.6 D/A CONVERTER REFERENCE & SSH JUMPER BLOCK

The jumper block located near the center of the PCIM-DAS1602/16 allows you to use the on board precision voltage reference to select the output ranges of the digital to analog converters.

Analog output is provided by two 12-bit multiplying D/A converters. This type of converter accepts a reference voltage and provides an output proportional to that. The proportion is controlled by the D/A output code (0 to 4095). Each bit represents 1/4096 of full scale.

A precision -5V and -10V reference provide onboard D/A ranges of 0 to 5V, 0 to 10V, +/-5V, +/-10V. Other ranges between 0V and 10V are available if you provide a precision voltage reference at pin 10 (D/A0) or 26 (D/A1) of the main connector.

When the DAC1 reference is supplied onboard, pin 26 of the 37-pin connector is unused and can be employed as a SSH (simultaneous sample & hold) trigger for use with the CIO-SSH16. To do so, place the jumper between the two pins "SH" (Figure 2-5).

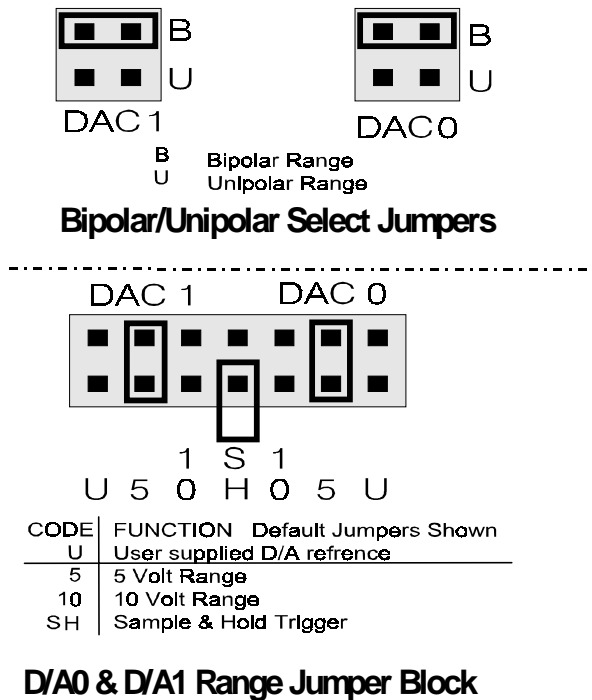


Figure 2-5. D/A Bipolar/Unipolar Select & Output Range Jumpers



---

---

## 2.8 TESTING THE INSTALLATION

After you have run the install program, it is time to test the installation. The following section describes the InstaCal procedure to test that your board is properly installed. The procedure has you connect one of the output channels to one of the A/D channels, it then outputs a simple waveform and shows you the waveform monitored on the selected A/D channel.

1. With InstaCal running, select the PCIM-DAS1602/16.
2. Select the "TEST" function from the main menu
3. Follow the instructions provided

If you do not receive the expected results:

- a. make certain you have connected the correct pins according to the connector diagram.
- b. go back through the installation procedure and make sure you have installed the board according to the instructions.

If this does not get you to the desired display, please call us (or contact your local distributor) for additional assistance.

---

---

## 2.9 Calibration

Selecting *CALIBRATE* from the InstaCal main menu runs a fully automated PCIM-DAS1602/16 calibration program. The software controlled calibration of the PCIM-DAS1602/16 is explained further in the section on calibration.

## **3 SOFTWARE**

---

---

There are three common approaches for generating operating software for the PCIM-DAS1602/16. These are:

Writing custom software with our Universal Library package,  
Using a fully integrated software package such as SoftWIRE, or  
Doing direct, register-level programming.

---

---

### **3.1 CUSTOM SOFTWARE USING THE UNIVERSAL LIBRARY**

Some users write custom software using our Universal Library. The Universal Library takes care of all the board I/O commands and lets you concentrate on the application part of the software. For additional information regarding using the Universal Library, please refer to the documentation supplied with the Universal Library package.

---

---

### **3.2 FULLY INTEGRATED SOFTWARE PACKAGES (e.g., SoftWIRE™)**

Many users now take advantage of the power and simplicity offered by an the upper-level data acquisition package such as SoftWIRE or DasWizard.

SoftWIRE is a new, easy-to-use graphical programming package that runs in Visual Basic. Non-programmers can build powerful applications without writing any code. Experienced programmers can easily integrate a new application with existing software with a minimum of effort. Please refer to the package's documentation for setup and complete usage information.

---

---

### **3.3 DIRECT REGISTER LEVEL PROGRAMMING**

Although uncommon, some applications do not allow the use of our Universal Library. If the user does not desire to use a new, simplified, upper-level package such as SoftWIRE, we include detailed, register mapping information in Chapter 6.

## 4 CONNECTOR PIN OUTS

### 4.1 MAIN CONNECTOR DIAGRAM

The PCIM-DAS1602/16 analog connector is a 37-pin “D” connector accessible from the rear of the PC on the expansion back plate. An additional signal, SS&H OUT (Simultaneous Sample and Hold Output), is available at pin 26. It is required when the CIO-SSH16 card is used with a PCIM-DAS1602/16 (Figure 4-1).

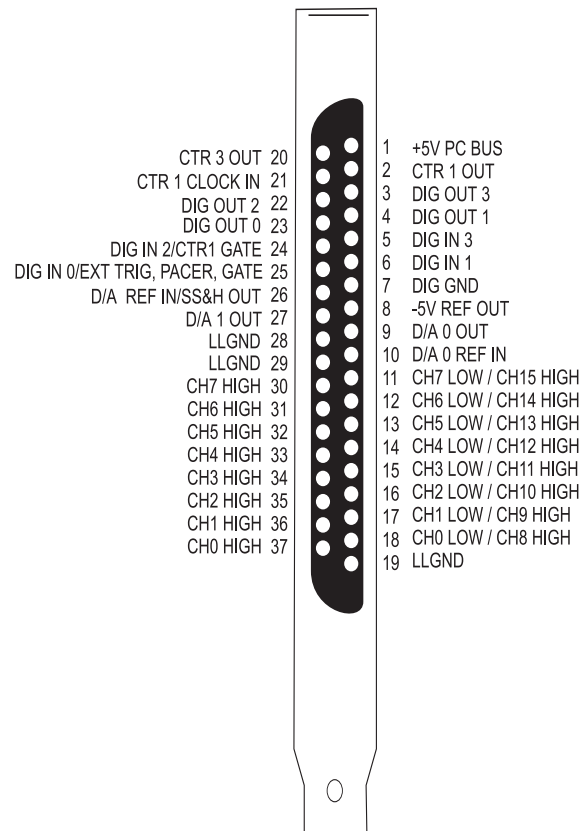


Figure 4-1. Main Analog Connector Pinout

The connector accepts female 37-pin D-type connectors, such as those on the C73FF-2, a two-foot cable with connectors. If frequent changes to signal connections or signal conditioning is required we strongly recommend purchasing the CIO-MINI37 screw terminal board and the mating C37FF-2 cable

## 4.2 DIGITAL I/O CONNECTOR

The digital I/O connector is mounted at the rear of the PCIM-DAS1602/16 and will accept a 40-pin header connector. The optional BP40-37 cable assembly brings the signals to a back plate with a 37-pin male connector mounted in it. When connected through the BP40-37, the PCIM-DAS1602/16 digital connector is identical to the CIO-DIO24 connector. The pinouts of the 40-pin digital I/O connector and BP40-37 cable are shown in Figure 4-2 below. (They are repeated in the Specifications section.)

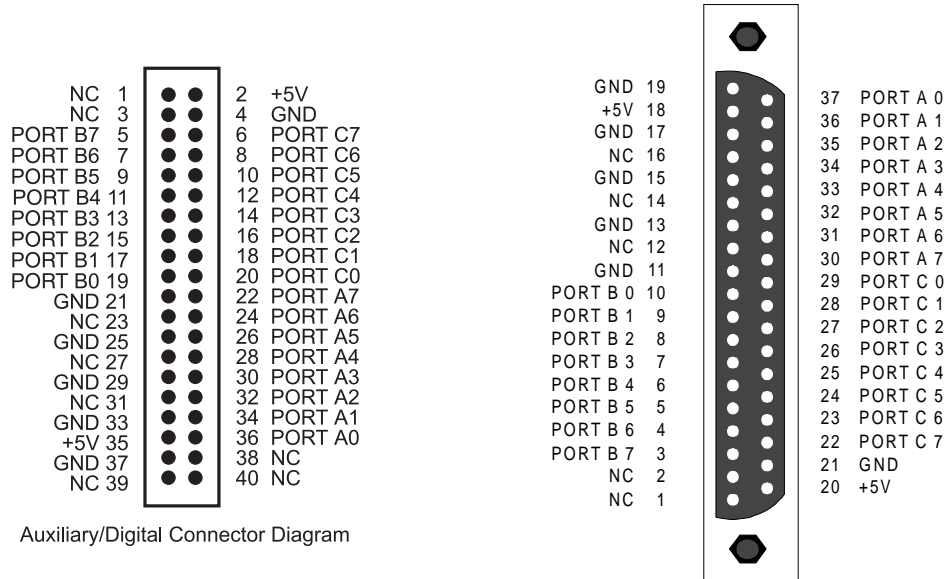


Figure 4-2. - Digital I/O Connector Pinout

BP40-37 Cable Pinout

## 5 ANALOG CONNECTIONS

### 5.1 ANALOG INPUTS

Analog signal connection is one of the most challenging aspects of applying a data acquisition board. If you are an Analog Electrical Engineer then this section is not for you, but if you are like most PC data acquisition users, the best way to connect your analog inputs may not be obvious. Though complete coverage of this topic is well beyond the scope of this manual, the following section provides some explanations and helpful hints regarding these analog input connections. This section is designed to help you achieve the optimum performance from your PCIM-DAS1602/16 board.

Prior to jumping into actual connection schemes, you should have at least a basic understanding of Single-Ended/Differential inputs and system grounding/isolation. If you are already comfortable with these concepts you may wish to skip to the next section (on wiring configurations).

#### 5.1.1 Single-Ended and Differential Inputs

The PCIM-DAS1602/16 provides either eight differential or 16 single-ended input channels.

##### Single-Ended Inputs

A single-ended input measures the voltage between the input signal and ground. In this case, in single-ended mode the PCIM-DAS1602/16 measures the voltage between the input channel and LLGND. The single-ended input configuration requires only one physical connection (wire) per channel and allows the PCIM-DAS1602/16 to monitor more channels than the (2-wire) differential configuration using the same connector and onboard multiplexor. However, since the PCIM-DAS1602/16 is measuring the input voltage relative to its own low level ground, single-ended inputs are more susceptible to both EMI (Electro-Magnetic Interference) and any ground noise at the signal source. Figure 5-1a and 5-1b show the theory of single-ended input configuration

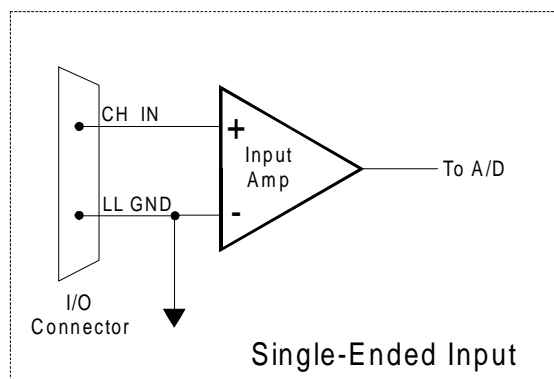
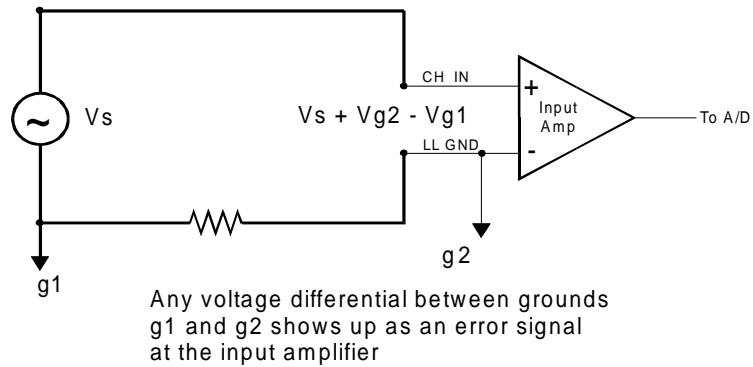


Figure 5-1a. Single-Ended Voltage Input Theory



## Single-ended input with Common Mode Voltage

Figure 5-1b. Single-Ended Voltage Input Theory

### Differential Inputs

Differential inputs measure the voltage between two distinct input signals. Within a certain range (referred to as the common mode range), the measurement is almost independent of signal source to PCIM-DAS1602/16 ground variations. A differential input is also much more immune to EMI than a single-ended one. Most EMI noise induced in one lead is also induced in the other, the input only measures the difference between the two leads, and the EMI common to both is ignored. This effect is a major reason there is twisted pair wire as the twisting assures that both wires are subject to virtually identical external influence. Figure 5-2a and 5-2b below show a typical differential input configuration.

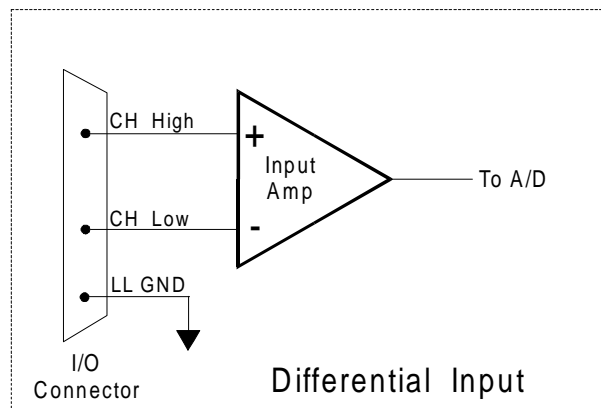


Figure 5-2a . Differential Input Theory

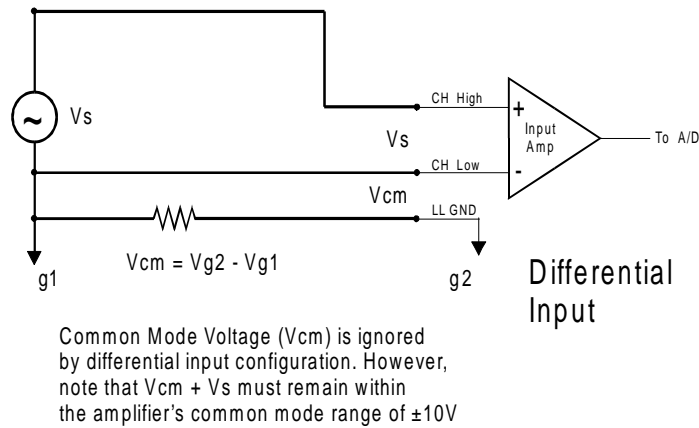


Figure 5-2b. Differential Input Theory

Before moving on to the discussion of grounding and isolation, it is important to explain the concepts of common mode, and common mode range (CM Range). Common mode voltage is depicted in the diagram above as  $V_{cm}$ . Though differential inputs measure the voltage between two signals, without (almost) respect to the either signal's voltages relative to ground, there is a limit to how far away from ground either signal can go. Though the PCIM-DAS1602/16 has differential inputs, it will not measure the difference between 100V and 101V as 1 Volt (in fact the 100V would destroy the board!). This limitation or common mode range is depicted graphically in Figure 5-3. The PCIM-DAS1602/16 common mode range is  $\pm 10$  Volts. Even in differential mode, no input signal can be measured if it is more than 10V from the board's low level ground (LLGND).

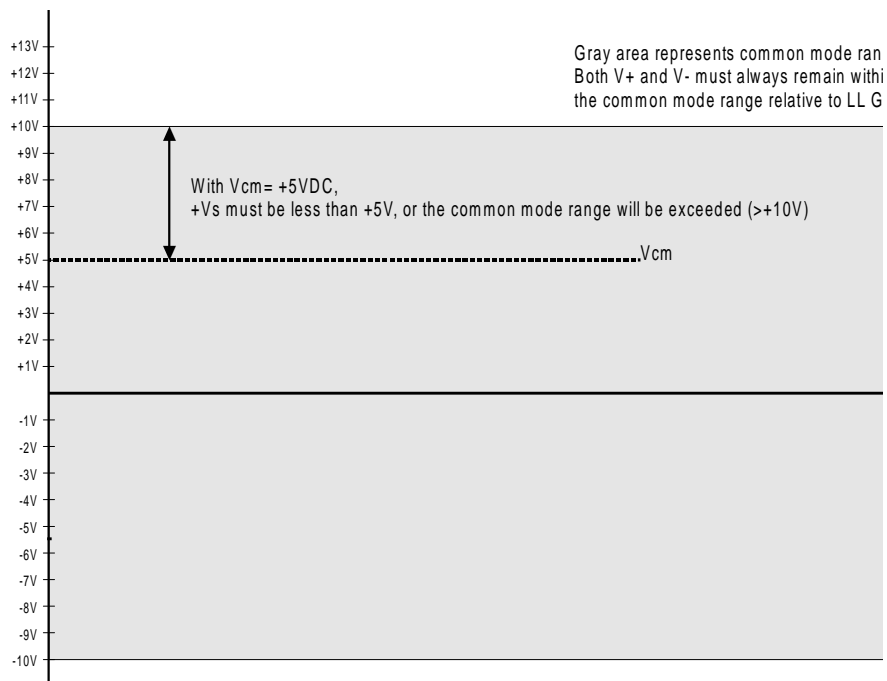


Figure 5-3. Common Mode Range

### 5.1.2 System Grounds and Isolation

There are three scenarios possible when connecting your signal source to your PCIM-DAS1602/16 board.

1. The PCIM-DAS1602/16 and the signal source have the same (or **common**) ground. This signal source can be connected directly to the PCIM-DAS1602/16.
2. The PCIM-DAS1602/16 and the signal source have an offset voltage between their grounds (AC and/or DC). This offset is commonly referred to as a **common mode voltage**. Depending on the magnitude of this voltage, it may or may not be possible to connect the PCIM-DAS1602/16 directly to your signal source. We will discuss this topic further in a later section.
3. The PCIM-DAS1602/16 and the signal source already have **isolated grounds**. This signal source can be connected directly to the PCIM-DAS1602/16.

#### Which system do you have?

Try the following experiment. Using a battery powered voltmeter\*, measure the voltage (difference) between the ground signal at your signal source and at your PC. Place one voltmeter probe on the PC ground and the other on the signal source ground. Measure both the AC and DC Voltages.

*\*If you do not have access to a voltmeter, skip the experiment and take a look at the following three sections. You may be able to identify your system type from the descriptions provided.*

If both AC and DC readings are 0.00 volts, you may have a system with common grounds. However, since voltmeters will average out high frequency signals, there is no guarantee. Please refer to the section below titled *Common Grounds*.

If you measure reasonably stable AC and DC voltages, your system has an offset voltage between the grounds category. This offset is referred to as a Common Mode Voltage. Please be careful to read the following warning and then proceed to the section describing *Common Mode* systems.

#### WARNING

*If either the AC or DC voltage is greater than 10 volts, do not connect the PCIM-DAS1602/16 to this signal source. You are beyond the boards usable common mode range and will need to either adjust your grounding system or add special Isolation signal conditioning to take useful measurements. A ground offset voltage of more than 30 volts will likely damage the PCIM-DAS1602/16 board and possibly your computer. Note that an offset voltage much greater than 30 volts will not only damage your electronics, but it can also be hazardous to your health.*

*This is such an important point, that we will state it again. If the voltage between the ground of your signal source and your PC is greater than 10 volts, your board will not take useful measurements. If this voltage is greater than 30 volts, it will likely cause damage, and can represent a serious shock hazard! In this case you will need to either reconfigure your system to reduce the ground differentials, or purchase and install special electrical isolation signal conditioning.*



If you cannot obtain a reasonably stable DC voltage measurement between the grounds, or the voltage drifts around considerably, the two grounds are most likely isolated. The easiest way to check for isolation is to change your voltmeter to its ohm scale and measure the resistance between the two grounds. It is recommended that you turn both systems off prior to taking this resistance measurement. If the measured resistance is more than 100 Kohm, it's a fairly safe bet that your system has electrically *isolated grounds*.

### ***Systems with Common Grounds***

In the simplest (but perhaps least likely) case, your signal source will have the same ground as the PCIM-DAS1602/16. This would typically occur when providing power or excitation to your signal source directly from the PCIM-DAS1602/16. There may be other common ground configurations, but it is important to note that any voltage between the PCIM-DAS1602/16 ground and your signal ground is a potential error voltage if you set up your system based on a common ground assumption.

As a safe rule of thumb, if your signal source or sensor is not connected directly to an LLGND pin on your PCIM-DAS1602/16, it's best to assume that you do not have a common ground even if your voltmeter measured 0.0 Volts. Configure your system as if there is ground offset voltage between the source and the PCIM-DAS1602/16. This is especially true if you are using the PCIM-DAS1602/16 at high gains since ground potentials in the sub-millivolt range will be large enough to cause A/D errors, yet will not likely be measured by your hand-held voltmeter.

### **Systems with Common Mode (ground offset) Voltages**

The most frequently encountered grounding scenario involves grounds that are somehow connected, but have AC and/or DC offset voltages between the PCIM-DAS1602/16 and signal source grounds. This offset voltage may be AC, DC or both and can be caused by a wide array of phenomena including EMI pickup, resistive voltage drops in ground wiring and connections, etc. Ground offset voltage is a more appropriate term to describe this type of system, but since our goal is to keep things simple, and help you make appropriate connections, we'll stick with our somewhat loose usage of the phrase Common Mode.

### **Small Common Mode Voltages**

If the voltage between the signal source ground and PCIM-DAS1602/16 ground is small, the combination of the ground voltage and input signal will not exceed the +/-10V common mode range, (*i.e. the voltage between grounds, added to the maximum input voltage, stays within +/-10V*). This input is compatible with the PCIM-DAS1602/16 and the system can be connected without additional signal conditioning. Fortunately, most systems will fall in this category and have a small voltage differential between grounds.

### **Large Common Mode Voltages**

If the ground differential is large enough, the +/- 10V common mode range can be exceeded. (If the voltage between the card and signal source ground, plus the maximum input voltage you're trying to measure, if this exceeds +/-10V, you'll exceed the maximum CMR.) In this case the PCIM-DAS1602/16 cannot be directly connected to the signal source. You will need to change your system grounding configuration or add isolation signal conditioning. (Please look at our ISO-RACK and ISO-5B-series products to add electrical isolation, or give our technical support group a call to discuss other options.)

NOTE

*Relying on the earth prong of a 120VAC for signal ground connections is not advised.. Different ground plugs may have large and potentially even dangerous voltage differentials. Remember that the ground pins on 120VAC outlets on different sides of the room may only be connected in the basement. This leaves the possibility that the “ground” pins may have a significant voltage differential (especially if the two 120VAC outlets happen to be on different phases.)*

**PCIM-DAS1602/16 and signal source already have isolated grounds**

Some signal sources will already be electrically isolated from the PCIM-DAS1602/16. The diagram below shows a typical isolated ground system. These signal sources are often battery powered, or are fairly expensive pieces of equipment (since isolation is not an inexpensive proposition), isolated ground systems provide excellent performance, but require some extra effort during connections to assure optimum performance is obtained. Please refer to the following sections for further details.

**5.2 WIRING CONFIGURATIONS**

Combining all the grounding and input type possibilities provides us with the following potential connection configurations. The combinations along with our recommendations on usage are shown in Table 5-1 below.

Table 5-1. Input vs. Grounding Recommendations

Ground Category	Input Configuration	Our Recommendation
Common Ground	Single-Ended Inputs	Recommended
Common Ground	Differential Inputs	Acceptable
Common Mode Voltage < +/-10V	Single-Ended Inputs	Not Recommended
Common Mode Voltage < +/-10V	Differential Inputs	Recommended
Common Mode Voltage > +/- 10V	Single-Ended Inputs	Unacceptable without adding Isolation
Common Mode Voltage > +/-10V	Differential Inputs	Unacceptable without adding Isolation
Already Isolated Grounds	Single-ended Inputs	Acceptable
Already Isolated Grounds	Differential Inputs	Recommended

The following sections depicts recommended input wiring schemes for each of the eight possible input configuration/grounding combinations.

### 5.2.1 Common Ground / Single-Ended Inputs

Single-ended is the recommended configuration for common ground connections. However, if some of your inputs are common ground and some are not, we recommend you use the differential mode. There is no performance penalty (other than loss of channels) for using a differential input to measure a common ground signal source. However the reverse is not true. Figure 5-4 below shows a recommended connection diagram for a common ground / single-ended input system

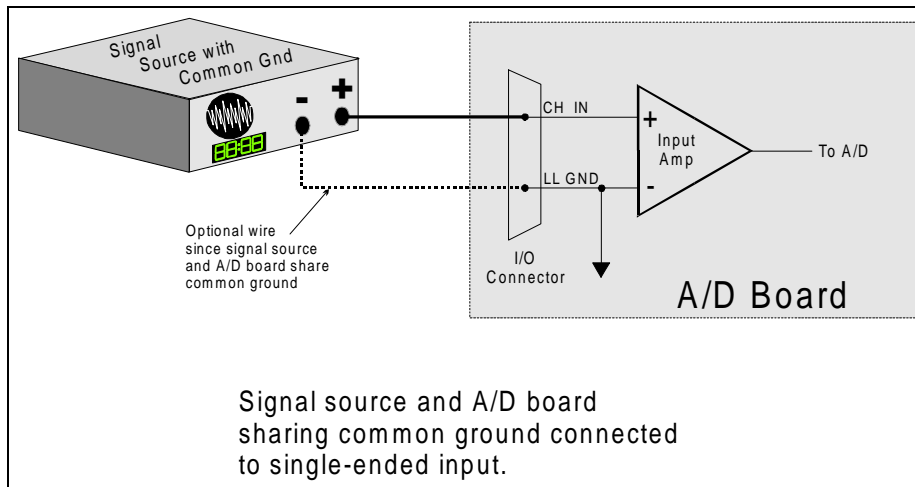


Figure 5-4. Common Ground / Single-Ended Inputs

### 5.2.2 Common Ground / Differential Inputs

The use of differential inputs to monitor a signal source with a common ground is an acceptable configuration though it requires more wiring and offers fewer channels than selecting a single-ended configuration. Figure 5-5 below shows the recommended connections in this configuration.

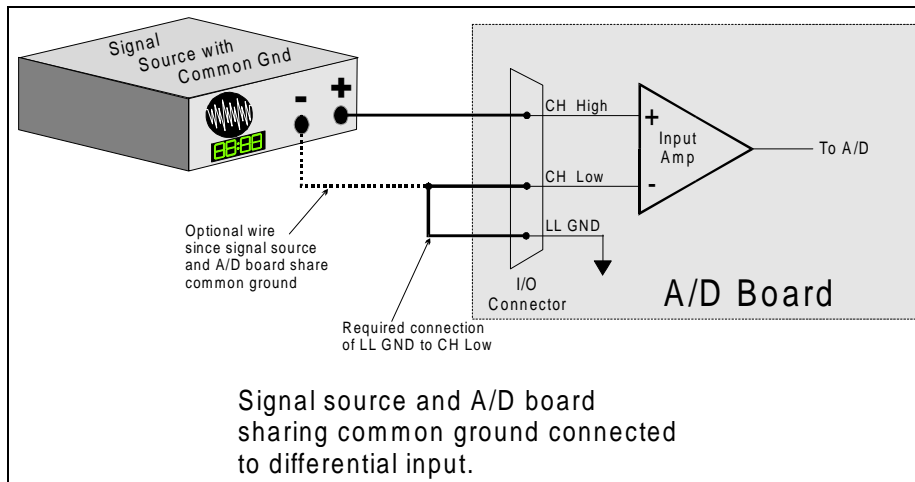


Figure 5-5. Common Ground / Differential Inputs

### 5.2.3 Common Mode Voltage < +/-10V / Single-Ended Inputs

This is not a recommended configuration. In fact, the phrase common mode has no meaning in a single-ended system and this case would be better described as a system with offset grounds. You can try this configuration, no system damage should occur and you may receive acceptable results.

### 5.2.4 Common Mode Voltage < +/-10V / Differential Inputs

Systems with varying ground potentials should always be monitored in the differential mode. Care is required to assure that the sum of the input signal and the ground differential (referred to as the common mode voltage) does not exceed the common mode range of the A/D board (+/-10V on the PCIM-DAS1602/16). Figure 5-6 below show recommended connections in this configuration.

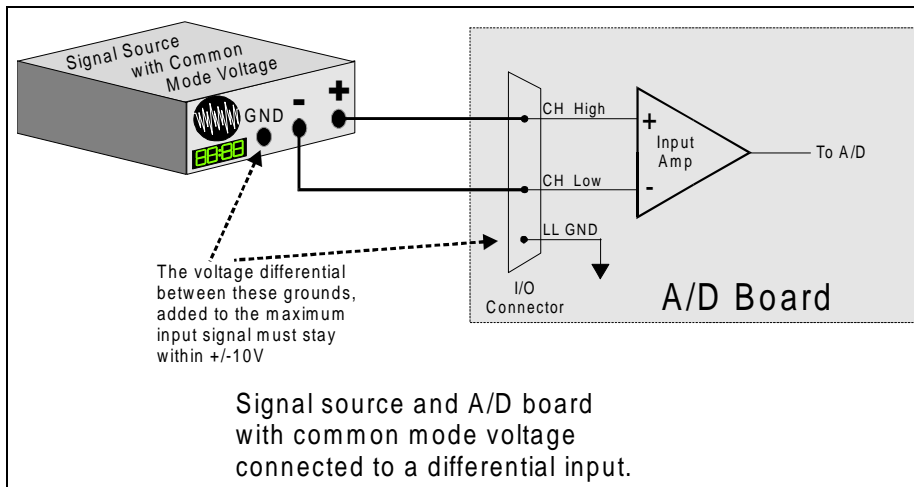


Figure 5-6. Common Mode Voltage < +/-10V / Differential Inputs

### 5.2.5 Common Mode Voltage > +/-10V

The PCIM-DAS1602/16 will not directly monitor signals with common mode voltages greater than +/-10V. You will either need to alter the system ground configuration to reduce the overall common mode voltage, or add isolated signal conditioning between the source and your board. See Figure 5-7 and 5-8 below.

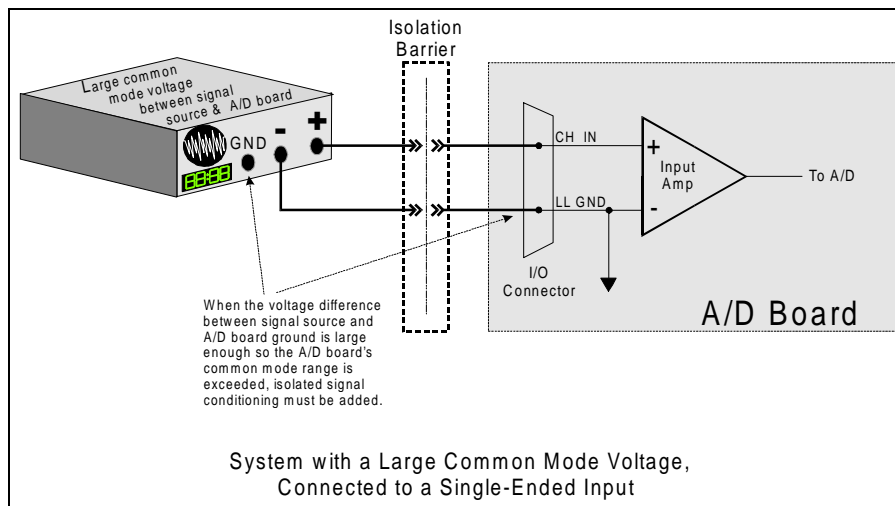


Figure 5-7. Common Mode Voltage > +/-10V. Single-Ended Input

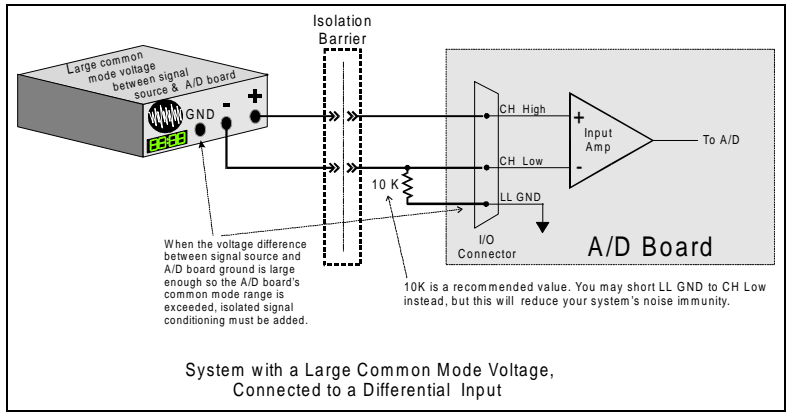


Figure 5-8. Common Mode Voltage > +/-10V. Differential Input

**5.2.6 Isolated Grounds / Single-Ended Inputs**

Single-ended inputs can be used to monitor isolated inputs, though the use of the differential mode will increase you system's noise immunity. Figure 5-9 below shows the recommended connections in this configuration.

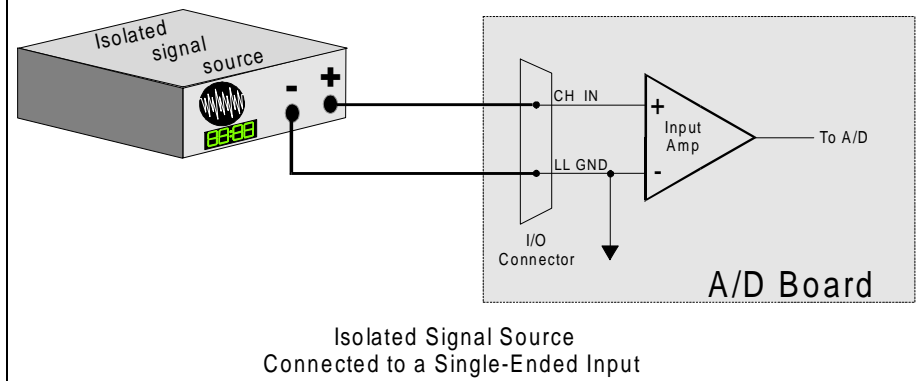


Figure 5-9. Isolated Grounds / Single-Ended Input

### 5.2.7 Isolated Grounds / Differential Inputs

Optimum performance with isolated signal sources is assured with the use of the differential input setting. Figure 5-10 below shows the recommended connections in this configuration.

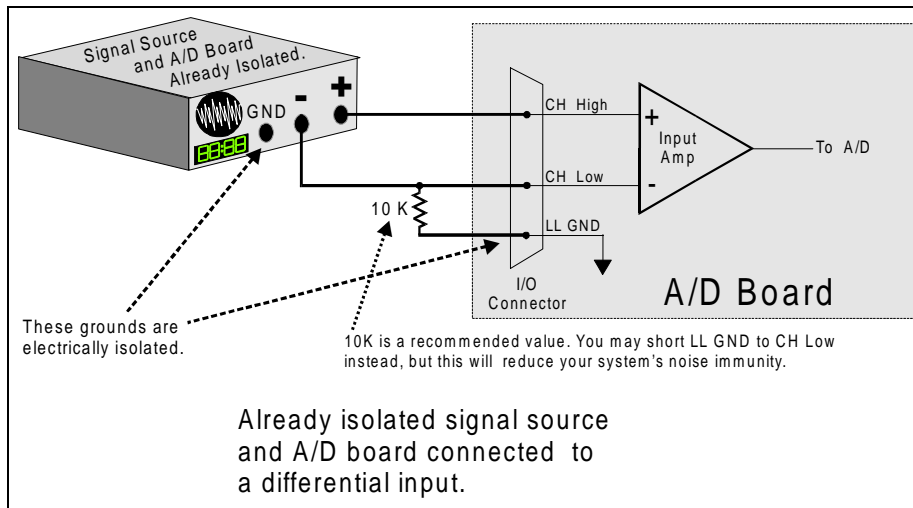


Figure 5-10. Isolated Grounds / Differential Inputs

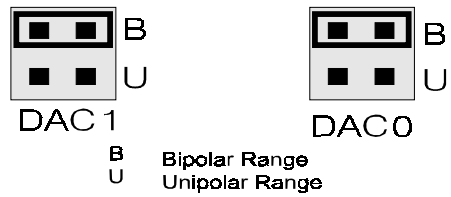
---

## 5.3 ANALOG OUTPUTS

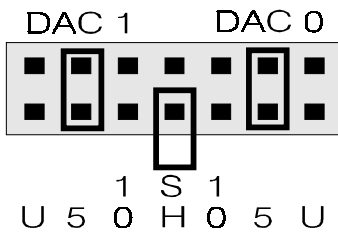
Analog outputs are simple voltage outputs which can be connected to any device which will record, display or be controlled by a voltage. The PCIM-DAS1602/16 analog outputs are 4 quadrant multiplying DACs. This means that they accept an input voltage reference and provide an output voltage which is inverse to the reference voltage and proportional to the digital value in the output register.

For example, in unipolar mode, the supplied reference of  $-5V$  provides a  $+5V$  output (actually  $4.9988V$ ) when the value in the output register is 4095 (full scale at 12 bits of resolution). It provides a value of  $2.5V$  when the value in the output register is 2048.

Figure 5-11 shows the onboard reference internally jumpered. Both D/A outputs will have a range of  $-5$  to  $+5$  volts. This is the default factory configuration.



### Bipolar/Unipolar Select Jumpers



CODE	FUNCTION	Default Jumpers Shown
U	User supplied D/A reference	
5	5 Volt Range	
10	10 Volt Range	
SH	Sample & Hold Trigger	

### D/A0 & D/A1 Range Jumper Block

Figure 5-11. Analog Output Range Select Jumper Block

## 6 REGISTER ARCHITECTURE

---

### 6.1 OVERVIEW

PCIM-DAS1602/16 operation registers are mapped into I/O space. Unlike ISA bus designs, this board has several base address regions, each corresponding to a reserved block of addresses in I/O space. Of the six Base Address Regions (BADRs) available per the PCI 2.1 specification, five are implemented in this design and are summarized in Table 6-1 as follows.

Table 6-1. PCIM-DAS1602/16 BADR Mapping

I/O Region	Function	Operations
BADR0	PCI memory mapped configuration registers	32-bit Double Word
BADR1	PCI I/O mapped configuration registers	32-bit Double Word
BADR2	ADC and DAC data registers	16-bit Word
BADR3	Pacer, Counter, Trigger, Interrupt, and Digital I/O configuration registers	8-bit Byte
BADR4	82C55 Digital I/O registers	8-bit Byte

BADR<sub>n</sub> will likely be different on different machines. Assigned by the PCI BIOS, these Base Address values cannot be guaranteed to be the same even on subsequent power-on cycles of the same machine. All software must interrogate BADR0 at run-time with a READ\_CONFIGURATION\_DWORD instruction to determine the BADR<sub>n</sub> values.

BADR0 and BADR1 are used for PCI configuration. Only the PCI Interrupt Control/Status Register (BADR1 + 4Ch) should be used. All others should not be written to. This Board uses the PLX PCI9052 PCI Bus Interface chip. For additional information on BADR0 and BADR1, refer to the data sheet.

NOTE: All unused bits are denoted by an X. They are 0 for a read operation and don't cares for a write operation.

### 6.2 BARD1 REGISTER

REGISTER	READ FUNCTION	WRITE FUNCTION
BADR1 + 4Ch	INTERRUPT STATUS	INTERRUPT CONTROL

BADR1+4Ch

READ/WRITE

31:7	6	5	4	3	2	1	0
0	PCINTE	0	0	0	INT	1	LINTE

This register controls the interrupt features of the PLX-9052. For proper operation, the predefined bits, bit 1 = 1 and bits 3, 4, 5, 7 to 31 = 0, must not be changed.



LINTE = 1, on the local side interrupt is enabled  
 LINTE = 0, on the local side interrupt is disabled

the INT bit is read only  
 INT = 1, interrupt is active  
 INT = 0, interrupt is not active

PCINTE = 1, on the PCI side, the interrupt is enabled  
 PCINTE = 0, on the PCI side, the interrupt is disabled

You must set both PCINTE and LINTE to 1 to enable interrupts. There is also an interrupt enable bit (INTE) in BADR3+4. This bit must also be set to 1 to enable interrupts.

This register is only used to enable the local and PCI interrupt bits so the interrupt generated by the on board logic can propagate through the PCI-9052 interface to the PCI bus INTA. The interrupts are not cleared in this register. The board has both edge and level sensitive interrupts. The edge sensitive interrupts, EndOfAcquisition, EndOfBurst, and EndOfConversion must be cleared by writing a 0 to the INT bit in BADR3+4. This must be done at the end of your interrupt service routine. The level sensitive interrupts, FifoHalfFull and FifoNotEmpty, will be regenerated after you service the interrupt if their condition is still true. See the section on BADR3+4 for more details.

---



---

### 6.3 BADR2 REGISTERS

REGISTER	READ FUNCTION	WRITE FUNCTION
BADR2 + 0	ADC Data	Begin single conversion
BADR2 + 2	none	DAC 0 Data
BADR2 + 4	none	DAC 1 Data

The I/O Region defined by BADR2 contains the 16-bit ADC data and the two 12-bit DAC data registers.

BADR2 + 0  
 ADC Data/Convert.

READ

15	14	13	12	11	10	9	8	7	6	5	4	3	2	1	0
AD15	AD14	AD13	AD12	AD11	AD10	AD9	AD8	AD7	AD6	AD5	AD4	AD3	AD2	AD1	AD0

MSB LSB

#### AD[15:0]

This register contains the current ADC data word. Data format is dependent upon offset mode:

Bipolar Mode: Offset Binary Coding  
 0000 h = -FS  
 7FFFh = Mid-scale (0V)  
 FFFFh = +FS - 1LSB

### Unipolar Mode: Straight Binary Coding

0000 h = -FS (0V)

7FFFh = Mid-scale (+FS/2)

FFFFh = +FS - 1LSB

### WRITE

Writing to this register is only valid for SW initiated conversions. The ADC Pacer source must be set to software polled (see BADR3 + 5). A null write to BADR2 + 0 will begin a single conversion. Conversion status may be determined by polling the **EOC** bit in BADR3 + 2.

BADR2 + 2

DAC 0 Data

WRITE ONLY

15	14	13	12	11	10	9	8	7	6	5	4	3	2	1	0
x	x	x	x	DA11	DA10	DA9	DA8	DA7	DA6	DA5	DA4	DA3	DA2	DA1	DA0

MSB

LSB

BADR2 + 4

DAC 1 Data

WRITE ONLY

15	14	13	12	11	10	9	8	7	6	5	4	3	2	1	0
x	x	x	x	DA11	DA10	DA9	DA8	DA7	DA6	DA5	DA4	DA3	DA2	DA1	DA0

MSB

LSB

### DA[11:0]

These bits represent the DAC data word. Format is dependent upon offset mode as described below:

+/-10V Range, Vref = -10V

+/-5V Range, Vref = -5V

### Bipolar Mode: Offset Binary Coding

000 h = Vref

7FFh = Mid-scale (0V)

FFFh = -Vref - 1 LSB, Vref < 0V

= -Vref + 1 LSB, Vref > 0V

### Unipolar Mode: Straight Binary Coding

000 h = 0V

7FFh = Mid-scale (-Vref/2)

FFFh = -Vref - 1 LSB, Vref < 0V

= -Vref + 1 LSB, Vref > 0V

On power up and system reset, the DACs' outputs are disabled and set to 0V. The first write to each DAC will enable that DAC.

The DACs ranges are jumper-settable in hardware. The settings are not software-readable.

## 6.4 BADR3 REGISTERS

REGISTER	READ FUNCTION	WRITE FUNCTION
BADR3 + 0	Mux scan limits	Mux scan limits
BADR3 + 1	Main Connector Digital Inputs	Main Connector Digital Outputs
BADR3 + 2	ADC Channel Status and Switch Settings	
BADR3 + 3	ADC Conversion Status	
BADR3 + 4	Interrupt Settings /Status	Interrupt Control
BADR3 + 5	A/D Pacer Clock Settings	A/D Pacer Clock Control
BADR3 + 6	Burst Mode and Converter Settings	Burst Mode and Converter Control
BADR3 + 7	Programmable Gain Settings	Programmable Gain Control
BADR3 + 8	82C54 Counter 1 Data	82C54 Counter 1 Data
BADR3 + 9	82C54 Counter 2 Data	82C54 Counter 2 Data
BADR3 + 0Ah	82C54 Counter 3 Data	82C54 Counter 3 Data
BADR3 + 0Bh	82C54 Counter Control Data	82C54 Counter Control Data
BADR3 + 0Ch	User Counter Clock Setting	User Counter Clock Control
BADR3 + 0Dh		Residual Counter upper 2 bits
BADR3 + 0Eh		Residual Counter lower byte

### MUX SCAN LIMITS REGISTER

BADR3 + 0

READ/WRITE

7	6	5	4	3	2	1	0
CH H3	CH H2	CH H1	CH H0	CH L3	CH L2	CH L1	CH L0

#### READ

The current channel scan limits are read as one byte. The high channel number scan limit is in the **most** significant four bits. The low channel scan limit is in the **least** significant four bits.

#### WRITE

The channel scan limits desired are written as one byte. The high channel number scan limit is in the **most** significant four bits. The low channel scan limit is in the **least** significant four bits.

*Every write to this register sets the current A/D channel MUX setting to the number in bits 0-3 and resets the FIFO. You should delay 10  $\mu$ s after setting the MUX (to allow for settling time) before initiating a conversion.*

## MAIN CONNECTOR DIGITAL I/O REGISTER

BADR3 + 1

### READ

7	6	5	4	3	2	1	0
0	0	0	0	DI3	DI2, CTR0 GATE	DI1	DI0, EXT TRIG, EXT PACER, EXT GATE

The signals present at the inputs are read as one byte, the most significant 4 bits of which are always zero. Digital Inputs 2 and 0 have multiple functions. Digital Input 2 may also be used as the gate to Counter 1 of the 82C54 which is available on the Main connector, please see BADR3+6 for a more detailed description. Digital Input 0 may also be used as either a trigger, a pacer, or a gate for the ADC, please see BADR3+5 for a more details.

### WRITE

7	6	5	4	3	2	1	0
X	X	X	X	DO3	DO2	DO1	DO0

The upper four bits are ignored. The lower four bits are latched TTL outputs. Once written, the state of the inputs cannot be read back because a read back would read the separate digital input lines (see above).

**NOTE** *The digital lines 0-3, pins 3, 4, 5, 6, 22, 23, 24, & 25 of the analog connector should not be used as ON/OFF Digital I/O. See below.*

The digital inputs have multiple functions as described above. The digital outputs are also used by the CIO-EXP32, 32 channel analog multiplexor/amplifier. There is a 24-line 82C55 on general purpose digital I/O, see BADR4. We suggest that the Main connector 4-bit ports be kept free for analog multiplexing control lines.

## ADC CHANNEL STATUS AND SWITCH SETTINGS REGISTERS

BADR3 + 2

### READ ONLY

7	6	5	4	3	2	1	0
EOC	U/B	MUX	CLK	MA3	MA2	MA1	MA0

EOC = 1, the A/D converter is busy.

EOC = 0, it is free.

EOC is in both BADR3+2 and BADR3+3 for convenience in software programming.

U/B = 1, the Analog Input Polarity Switch is set to Unipolar.

U/B = 0, the Analog Input Polarity Switch is set to Bipolar

MUX = 1, the Analog Input Mode Switch is set to 16 single-ended.

MUX = 0, the Analog Input Mode Switch is set to 8 differential.

CLK = 1, the Pacer Clock Jumper is set to 10 MHz

CLK = 0, the Pacer Clock Jumper is set to 1 MHz.

MA3, MA2, MA1, and MA0 is a binary number between 0 and 15 indicating the MUX channel currently selected and is valid only when EOC = 0. The channel MUX increments shortly after EOC = 1 so may be in a state of transition when EOC = 1.

### ADC CONVERSION STATUS REGISTER

BADR3 + 3

READ ONLY

7	6	5	4	3	2	1	0
EOC	EOB	EOA	FNE	FHF	OVERRUN	0	0

EOC = 1, the A/D converter is busy.

EOC = 0, it is free.

EOC is in both BADR3+2 and BADR3+3 for convenience in software programming.

EOB = 1, An ADC Burst has been completed

EOB = 0, An ADC Burst is in progress or has not started

EOA = 1, the residual # of samples have been written to the FIFO

EOA = 0, the residual # of samples have not been written to the FIFO

EOA is cleared by writing a 0 to the INT bit in BADR3+4. See below.

EOA is in both BADR3+3 and BADR3+4 for convenience in software programming

FNE = 1, FIFO memory contains at least on sample.

FNE = 0, FIFO memory contains no samples

FHF = 1, FIFO memory contains at least 512 samples.

FHF = 0, FIFO memory contains less than 512 samples

OVERRUN = 1, FIFO memory has overrun

OVERRUN = 0, FIFO memory has not overrun

OVERRUN is in both BADR3+3 and BADR3+4 for convenience in software programming

### INTERRUPT STATUS AND CONTROL

BADR3 + 4

READ/WRITE

7	6	5	4	3	2	1	0
INTE	INT	X	OVERRUN	EOA	EOA_INT_SEL	INTSEL1	INTSEL0

INTSEL[1:0] are used to select the source of the interrupt. With the exception of EOA, end of acquisition, you can only select one interrupt source.

INTSEL 1	INTSEL 0	INTERRUPT SOURCE
0	0	EOC, End of Conversion
0	1	FIFO not empty
1	0	EOB, End of Burst
1	1	FIFO half full/EOA

EOA\_INT\_SEL = 1, Interrupt on end of acquisition  
 EOA\_INT\_SEL = 0, No interrupt on end of acquisition  
 EOA\_INT\_SEL is used in conjunction with the residual counter. See BADR3+ 0Dh

EOA = 1, the residual # of samples have been written to the FIFO  
 EOA = 0, the residual # of samples have not been written to the FIFO  
 EOA is cleared by writing a 0 to the INT bit. See below.  
 EOA is in both BADR3+3 and BADR3+4 for convenience in software programming

OVERRUN = 1, FIFO memory has overrun  
 OVERRUN = 0, FIFO memory has not overrun  
 OVERRUN is in both BADR3+3 and BADR3+4 for convenience in software programming

INT = 1, Interrupt generated  
 INT = 0, No interrupt generated  
 INT must be cleared after each edge sensitive interrupt (EOC, EOB, and EOA) by setting it to 0.

INTE = 1, Interrupts are enabled.  
 INTE = 0, Interrupts are disabled.  
 To enable interrupts you must also set bits in BADR1 + 4Ch

**A/D PACER CLOCK STATUS AND CONTROL**

BADR3 + 5

READ/WRITE

7	6	5	4	3	2	1	0
X	GATE_STATUS	GATE_POL	GATE_LATCH	GATE_EN	EXT_PACER_POL	PS1	PS0

PS[1:0] control the source of the A/D Pacing according to the table below.

PS1	PS0	
0	X	Software polled A/D
1	0	External Pacer Clock (Digital input 0, Pin 25)
1	1	Internal Pacer Clock (CTR 2 OUT, no external access)

EXT\_PACER\_POL = 1, the external pacer polarity is set to negative edge for non burst mode and burst mode

EXT\_PACER\_POL = 0, the external pacer polarity is set to positive edge for non-burst mode and burst mode

This bit is only used when the external pacer clock is selected. We recommend setting to positive edge.

The remainder of the bits are only used when the internal pacer is selected.

Note: The polarity (direction) of the internal pacer is set by a hardware jumper. It is recommended that it be set to a positive-going edge.

GATE\_EN = 1, the gate to the internal pacer is always on regardless of the signal on pin 25. In this mode, the bits below are ignored.

GATE\_EN = 0, the gate to the internal pacer is controlled by the signal on pin 25.

GATE\_LATCH = 1, the signal on pin 25 will act as an edge trigger to the internal pacer. It is latched in hardware. Software must clear latch by writing a “0” to the GATE\_STATUS bit.

GATE\_LATCH = 0, the signal on pin 25 will act as a level gate to the internal pacer.

GATE\_POL = 1, the trigger / gate polarity is set to negative-going edge / low level for non burst mode and positive-going edge / high level for burst mode  
 GATE\_POL = 0, the trigger / gate polarity is set to positive-going edge / high level for non burst mode and negative-going edge / low level for burst mode

on a read, GATE\_STATUS = 1, the gate to the internal pacer is on.  
 GATE\_STATUS = 0, the gate to the internal pacer is off.

on a write, GATE\_STATUS = 0 clears the hardware latch when LATCH = 1

**BURST MODE and CONVERTER CONTROL**

BADR3 + 6

READ/WRITE

7	6	5	4	3	2	1	0
X	X	X	X	X	X	BME	CONV_EN

CONV\_EN = 1, Conversions are enabled  
 CONV\_EN = 0, Conversions are disabled

BME = 1, Bursting is enabled. When burst mode is enabled, the mux channel select bits in BADR3+0 are used to specify the channels in the burst.  
 BME = 0, Bursting is disabled

The burst mode generator is a clock signal that paces the A/D at the maximum multi-channel sample rate, then periodically, performs additional maximum rate scans. In this way, the channel to channel skew (time between successive samples in a scan) is minimized without taking a large number of undesired samples (Figure 6-1).

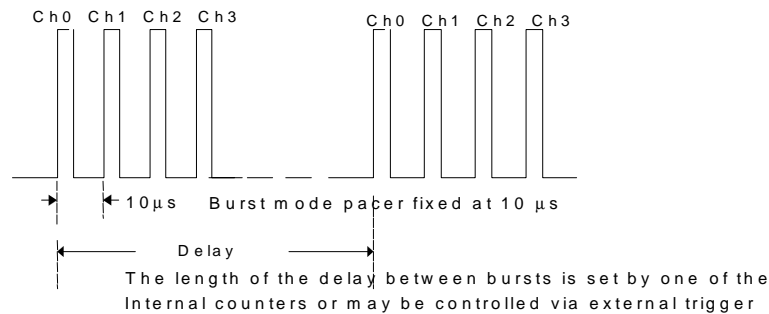


Figure 6-1. Burst Mode Timing

The PCIM-DAS1602/16 burst mode generator takes advantage of the fast A/D. The burst mode skew is 10 µs between channels for the PCIM-DAS1602/16. It is 13.3 µs for the CIO-DAS1602/16

## PROGRAMMABLE GAIN CONTROL REGISTER

BADR3 + 7

READ/WRITE

7	6	5	4	3	2	1	0
X	X	X	X	X	X	G1	G0

G[1:0] control the gain of the programmable gain amplifier according to the table below.

G1	G0	BIPOLAR RANGE	UNIPOLAR RANGE
0	0	+/-10V	0 to 10V
0	1	+/-5V	0 to 5V
1	0	+/-2.5V	0 to 2.5V
1	1	+/-1.25V	0 to 1.25V

The mode, unipolar or bipolar is controlled by a switch. This makes the PCIM-DAS1602/16 compatible with the CIO-DAS1602/16. If your application is better served by programmable ranges, please consider the PCI-DAS1602/16 board.

## 8254 COUNTER 1 DATA - USER COUNTER

BADR3 + 8

READ/WRITE

7	6	5	4	3	2	1	0
D8	D7	D6	D5	D4	D3	D2	D1

The 82C54 counter 1 is available to you as a generic counter/timer. The clock, gate and output are all available at the main 37 pin connector. Refer to BADR3 + 0C HEX for clock options.

## 8254 COUNTER 2 DATA - ADC PACER LOWER COUNTER

BADR3 + 9

READ/WRITE

7	6	5	4	3	2	1	0
D8	D7	D6	D5	D4	D3	D2	D1

## 82C54 COUNTER 3 DATA - ADC PACER UPPER COUNTER

BADR3 + 0Ah

READ/WRITE

7	6	5	4	3	2	1	0
D8	D7	D6	D5	D4	D3	D2	D1

Counters 2 and 3 are configured in hardware to produce a 32-bit counter for use as a pacer for the A/D converter.

## 82C54 COUNTER CONTROL

BADR3 + 0Bh

READ/WRITE

7	6	5	4	3	2	1	0
D8	D7	D6	D5	D4	D3	D2	D1

This register controls the operation and loading/reading of the counters. The four 82C54 registers may be written to and read from. The operation of the 82C54 is explained in Intel 82C54 data sheet.



## USER COUNTER CLOCK CONTROL

BADR3 + 0Ch

READ/WRITE

7	6	5	4	3	2	1	0
X	X	X	X	X	X	X	CTR1_CLK_SEL

CTR1\_CLK\_SEL = 1. The onboard 100 kHz clock signal is ANDed with the COUNTER 1 CLOCK INPUT (pin 21). A high on pin 21 will allow pulses from the onboard source into the 8254 Counter 1 input. (This input has a pull-up resistor on it, so no connection is necessary to use the onboard 100 kHz clock.

CTR1\_CLK\_SEL = 0, The input to 8254 Counter 1 is entirely dependent on pulses at pin 21, COUNTER 1 CLOCK INPUT.

## RESIDUAL SAMPLE COUNTER REGISTERS

BADR3 + 0Dh

READ/WRITE

7	6	5	4	3	2	1	0
D7	D6	D5	D4	D3	D2	D1	D0

BADR3 + 0Eh

READ/WRITE

7	6	5	4	3	2	1	0
X	X	X	X	X	X	D9	D8

The residual count, data bits D9:D0 are used to specify the number of samples at the end of a paced acquisition that will be collected before the EOA (end of acquisition) interrupt is generated. This is useful when the total number of samples is not a multiple of half the FIFO size (512) or the total number of samples is less than the FIFO size (1024).

**Always write the residual count before setting the EOA\_INT\_SEL bit.** Writing to either register will reset the counter with the new values. You must write the values each acquisition even if they have not changed. Use the following rules for correct operation.

### Total number of samples is less than 512

1. Before you start the acquisition, write the total number of samples to the residual counter, an 87h to BADR3+4 ( INTE, EOA\_INT\_SEL, and FIFO\_HALF FULL enabled), and a 67h to BADR1+4Ch (INTE and PCINTE enabled).
2. Start the acquisition
3. The first interrupt you get will be the EOA interrupt. First clear the EOA\_INT\_SEL bit (bit 2 BADR3+4). Then read 20 samples from FIFO. The last thing you should do in your interrupt service routine is to clear the INT bit (bit 6, BADR3+4) and disable interrupts by writing a "0" to the INTE bit (bit 7, BADR3+4).

EXAMPLE: 20 total samples

1. Before you start the acquisition, write a 20 to the residual counter, an 87h to BADR3+4, and a 67h to BADR1+4Ch
2. Start the acquisition.

3. You will get the EOA interrupt. Write a 03h to BADR3+4, read 20 samples from FIFO, and then write another 03h to BADR3+4.

Total number of samples is greater than 512, but less than 1024

1. Before you start the acquisition, write the total number of samples to the residual counter, an 87h to BADR3+4 (INTE, EOA\_INT\_SEL, and FIFO\_HALF FULL enabled), and a 67h to BADR1+4Ch (INTE and PCINTE enabled).
2. Start the acquisition
3. The first interrupt you get will be the FIFO\_HALF FULL interrupt. Read 512 samples from FIFO and clear the INT bit (bit 6, BADR3+4).
4. The second interrupt you get will be the EOA interrupt. First clear the EOA\_INT\_SEL bit (bit 2 BADR3+4). Then read the total number of samples, less 512 from FIFO. Do not try to read the entire residual count on the EOA interrupt. You already retrieved 512 of the residual on the FIFO\_HALF FULL interrupt in step 3. The last thing you should do in your interrupt service routine is to clear the INT bit (bit 6, BADR3+4) and disable interrupts by writing a 0 to the INTE bit (bit 7, BADR3+4).

EXAMPLE: 1000 total samples

1. Before you start the acquisition, write a 1000 to the residual counter, an 87h to BADR3+4, and a 67h to BADR1+4Ch.
2. Start the acquisition
3. You will get a FIFO\_HALF FULL interrupt. Read 512 samples from FIFO and write an 87h to BADR3+4
4. You will get the EOA interrupt. Write a 03h to BADR3+4, read 488 samples from FIFO, and then write another 03h to BADR3+4.

Total number of samples is greater than 1024

1. Before you start the acquisition, write the residual number of samples to the residual counter, an 83h to BADR3+4 (INTE and FIFO\_HALF FULL enabled), and a 67h to BADR1+4Ch (INTE and PCINTE enabled). The residual number of samples is the remainder of the total number of samples divided by 512.
2. Start the acquisition.
3. The first interrupt you get will be the FIFO\_HALF FULL interrupt. Read 512 samples from FIFO and clear the INT bit (bit 6, BADR3+4).
4. Depending on the total number of samples, you will get some number of FIFO\_HALF FULL interrupts. For all but the second to last one, repeat step 3. On the second to last one, at the very end of your interrupt service routine, you must enable the EOA\_INT\_SEL bit by writing a 1 to bit two of BADR3+4. Be sure to enable EOA\_SEL\_INT after you have read the FIFO because the next FIFO\_HALF FULL is what triggers the residual counter to start counting.
5. After the second to last interrupt, the next interrupt you get will be a FIFO\_HALF FULL interrupt. Read 512 samples from FIFO and clear the INT bit (bit 6, BADR3+4).
6. The next interrupt after that will be the EOA interrupt. First clear the EOA\_INT\_SEL bit (bit 2 BADR3+4). Then read the residual count from FIFO. The last thing you should do in your interrupt service routine is to clear the INT bit (bit 6, BADR3+4) and disable interrupts by writing a 0 to the INTE bit (bit 7, BADR3+4).

EXAMPLE: 1537 total samples

1. Before you start the acquisition, write a 1 to the residual counter ( $1537 / 512 = 3$ , a remainder of 1), an 83h to BADR3+4, and a 67h to BADR1+4Ch.

2. You will get a FIFO\_HALF FULL interrupt. Read 512 samples from FIFO and write an 83h to BADR3+4.
3. You will get another FIFO\_HALF FULL interrupt. This is the second to last FIFO\_HALF FULL interrupt so first read another 512 samples from FIFO and then write an 87h to BADR3+4.
4. You will get a third and final FIFO\_HALF FULL interrupt. Read 512 samples from FIFO and write a 87h to BADR3+4.
5. Then you will get the EOA interrupt. Write a 03h to BADR3+4, read 1 sample from FIFO, and then write another 03h to BADR3+4.

---

## 6.5 BADR4 PORT I/O REGISTERS

Table 6-2. BADR4 Port I/O Registers

REGISTER	READ FUNCTION	WRITE FUNCTION
BADR4 + 0	82C55 Port A Input	82C55 Port A Output
BADR4 + 1	82C55 Port B Input	82C55 Port B Output
BADR4 + 2	82C55 Port C Input	82C55 Port C Output
BADR4 + 3	None	82C55 Control Register

There are 24 Digital I/O ports from an 82C55 available at the 40-pin header on the rear of the board. In addition, there are four digital inputs and four digital outputs available at the main connector. See BADR3 + 1 register for details on the main connector digital I/O.

### 82C55 PORT A DATA

BADR4 + 0

READ/WRITE

7	6	5	4	3	2	1	0
A7	A6	A5	A4	A3	A2	A1	A0

### 82C55 PORT B DATA

BADR4 + 1

READ/WRITE

7	6	5	4	3	2	1	0
B7	B6	B5	B4	B3	B2	B1	B0

Ports A and B may be programmed as input or output. Each is written to and read from in bytes, although for control and monitoring purposes, individual bits are used.

Bit set/reset and bit read functions require that unwanted bits be masked out of reads and ORed into writes.

### 82C55 PORT C DATA

BADR4 + 2

READ/WRITE

7	6	5	4	3	2	1	0
C7	C6	C5	C4	C3	C2	C1	C0
CH3	CH2	CH1	CH0	CL3	CL2	CL1	CL0

Table 6-3. Bit to Decimal to HEX Values

<b>BIT</b>	<b>DECIMAL</b>	<b>HEX</b>
7	128	80
6	64	40
5	32	20
4	16	10
3	8	8
2	4	4
1	2	2
0	1	1

Port C can be used as one 8-bit port of either input or output, or it can be split into two, 4-bit ports which can be independently input or output. The notation for the upper 4-bit port is PCH3 to PCH0, and for the lower, PCL3 to PCL0.

Although it can be split, every read and write to port C carries eight bits of data so unwanted information must be ANDed out of reads, and writes must be ORed with the current status of the other nibble.

### OUTPUT PORTS

In 8255 mode 0 configuration, ports configured for output hold the output data written to them. This output byte may be read back by reading a port configured for output.

### INPUT PORTS

In 8255 mode 0 configuration, ports configured for input read the state of the input lines at the moment, transitions are not latched.

## 82C55 CONTROL REGISTER

BADR4 + 3

WRITE

7	6	5	4	3	2	1	0
MS	M3	M2	A	CU	M1	B	CL
Group A				Group B			

The 8255 can be programmed to operate in Input/ Output (mode 0), Strobed Input/ Output (mode 1) or Bi-Directional Bus (mode 2).

When the PC is powered up or RESET, the 8255 is reset. This places all 24 lines in Input mode and no further programming is needed to use the 24 lines as TTL inputs.

To program the 82C55 for other modes, assemble the following control code byte into an 8-bit byte.

MS = Mode Set. 1 = mode set active

M3	M2	GROUP A FUNCTION		
0	1	Mode 0	Input / Output	
0	1	Mode 1	Strobed Input / Output	
1	X	Mode 2	Bi-Directional Bus	
A	B	CL	CH	INDEPENDENT FUNCTION
1	1	1	1	Input
0	0	0	0	Output

M1 = 0 is mode 0 for group B. Input / Output

M1 = 1 is mode 1 for group B. Strobed Input / Output

All four groups can be independently programmed in one of several modes. The most commonly used mode is mode 0, input / output mode. The codes for programming the 82C55 in mode 0 are shown in Table 6-4.

Table 6-4. Mode 0 Configuration Codes for 82C55

D4	D3	D1	D0	HEX	DEC	A	CU	B	CL
0	0	0	0	80	128	OUT	OUT	OUT	OUT
0	0	0	1	81	129	OUT	OUT	OUT	IN
0	0	1	0	82	130	OUT	OUT	IN	OUT
0	0	1	1	83	131	OUT	OUT	IN	IN
0	1	0	0	88	136	OUT	IN	OUT	OUT
0	1	0	1	89	137	OUT	IN	OUT	IN
0	1	1	0	8A	138	OUT	IN	IN	OUT
0	1	1	1	8B	139	OUT	IN	IN	IN
1	0	0	0	90	144	IN	OUT	OUT	OUT
1	0	0	1	91	145	IN	OUT	OUT	IN
1	0	1	0	92	146	IN	OUT	IN	OUT
1	0	1	1	93	147	IN	OUT	IN	IN
1	1	0	0	98	152	IN	IN	OUT	OUT
1	1	0	1	99	153	IN	IN	OUT	IN
1	1	1	0	9A	154	IN	IN	IN	OUT
1	1	1	1	9B	155	IN	IN	IN	IN

NOTE: D7 is always 1; D6, D5, and D2 are always 0.

## **7 CALIBRATION AND TEST**

---

---

Every board is fully tested and calibrated before leaving the factory. For normal environments a calibration interval of six months to one year is recommended. If frequent variations in temperature or humidity are common, recalibrate at least every three months. It requires less than 20 minutes to calibrate the PCIM-DAS1602/16.

---

---

### **7.1 REQUIRED EQUIPMENT**

Ideally, you will need a precision voltage source, or a non precision source and a 5½ digit digital voltmeter and a few pieces of wire.

You will not need an extender card to calibrate the board but you will need to have the cover off your computer with the power on, so trim pots can be adjusted during calibration using a jeweler's screwdriver.

---

---

### **7.2 CALIBRATING THE A/D & D/A CONVERTERS**

The A/D is calibrated by applying a known voltage to an analog input channel and adjusting trim pots for offset and gain. There are three trim pots requiring adjustment to calibrate the analog input section of the card. There are also three pots associated with each of the analog output channels. The entire procedure is described in detail in the *InstaCal*<sup>™</sup> calibration routine.

The PCIM-DAS1602/16 should be calibrated for the range you intend to use it in. When the range is changed, slight variation in Zero and Full Scale may result. These variations can be measured and removed in software if necessary.

## 8 ANALOG ELECTRONICS

---

### 8.1 VOLTAGE DIVIDERS

If you wish to measure a signal which varies over a range greater than the input range of an analog or digital input, a voltage divider can drop the voltage of the input signal to the level the analog or digital input can measure.

A voltage divider applies Ohm's law, which states,

$$\text{Voltage} = \text{Current} * \text{Resistance} \quad (V = I * R)$$

and Kirkoff's voltage law which states,

The sum of the voltage drops around a circuit will be equal to the voltage drop for the entire circuit.

Implied in the above is that any variation in the voltage drop for the circuit as a whole will have a proportional variation in all the voltage drops in the circuit.

A voltage divider takes advantage of the fact that the voltage across one of the resistors in a circuit is proportional to the voltage across the total resistance in the circuit. The object in using a voltage divider is to choose two resistors with the proper proportions relative to the full scale of the analog or digital input and the maximum signal voltage (Figure 8-1).

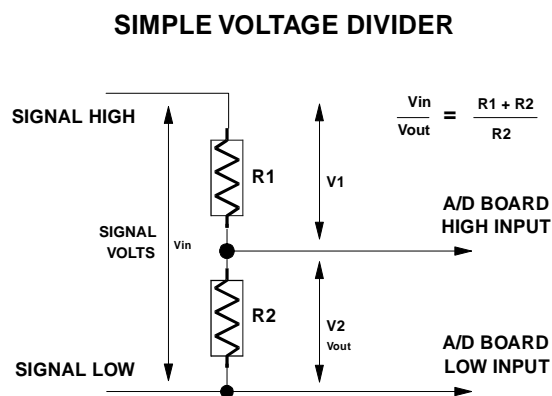


Figure 8-1. Voltage Divider Schematic

Reducing a voltage proportionally is called attenuation. The formula for attenuation is:

Attenuation =	$\frac{R1 + R2}{R2}$	The variable Attenuation is the proportional difference between the signal voltage max and the full scale of the analog input.
---------------	----------------------	--

2 =	$\frac{10K + 10K}{10K}$	For example, if the signal varies between 0 and 20 volts and you wish to measure that with an analog input with a full scale range of 0 to 10 volts, the Attenuation is 2:1 or simply 2.
-----	-------------------------	--

$R1 =$	$(A - 1) * R2$	For a given attenuation, pick a handy resistor and call it R2, then use this formula to calculate R1.
--------	----------------	---

Digital inputs also make use of voltage dividers, for example, if you wish to measure a digital signal that is at 0 volts when off and 24 volts when on, you cannot connect that directly to the CIO-AD digital

inputs. The voltage must be dropped to 5 volts max when on. The Attenuation is 24:5 or 4.8. Use the equation above to find an appropriate R1 if R2 is 1K. Remember that a TTL input is 'on' when the input voltage is greater than 2.5 volts.

**IMPORTANT NOTE:** The resistors, R1 and R2, are going to dissipate all the power in the divider circuit according to the equation  $\text{Current} = \text{Voltage} / \text{Resistance}$ . The higher the value of the resistance (R1 + R2) the less power dissipated by the divider circuit. Here is a simple rule:

For Attenuation of 5:1 or less, no resistor should be less than 10K.

For Attenuation of greater than 5:1, no resistor should be less than 1K.

The CIO-TERMINAL has the circuitry on board to create custom voltage dividers. The CIO-TERMINAL is a 16" by 4" screw terminal board with two 37 pin D type connectors and 56 screw terminals (12 - 22 AWG). Designed for table top, wall or rack mounting, the board provides prototype, divider circuit, filter circuit and pull-up resistor positions which you can complete with the proper value components for your application.

## 8.2 LOW PASS FILTERS

A low-pass filter is placed on the signal wires between a signal and an A/D board. It stops frequencies greater than the cut off frequency from entering the A/D board's analog or digital inputs.

The key term in a low-pass filter circuit is cutoff frequency. The cutoff frequency is that frequency above which no variation of voltage with respect to time can enter the circuit. For example, if a low-pass filter had a cutoff frequency of 30 Hz, the kind of interference associated with line voltage (60Hz) would be filtered out but a signal of 25 Hz would be allowed to pass.

Also, in a digital circuit, a low-pass filter might be used to "de-bounce" an input from a momentary contact switch or a relay closure.

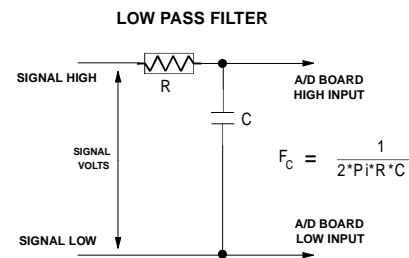


Figure 8-2. Low-Pass Filter Schematic

A simple low-pass filter (Figure 8-2) can be constructed from one resistor (R) and one capacitor (C). The cutoff frequency is determined according to the formula:

$$F_c = \frac{1}{2 * \pi * R * C}$$

$$R = \frac{1}{2 * \pi * C * F_c}$$

Where :  $\pi = 3.14...$

R = ohms

C = farads



## 9 SPECIFICATIONS

---

*Typical for 25°C unless otherwise specified.*

### Power Consumption

+5V quiescent	820mA typical, 1.4A max
---------------	-------------------------

### Analog Input Section

A/D converter type	LTC1605CSW
Resolution	16 bits
Number of channels	16 single-ended / 8 differential, switch selectable
Input ranges <ul style="list-style-type: none"> <li>• Gain is software selectable</li> </ul> Unipolar/Bipolar polarity is switch selectable	±10V, ±5V, ±2.5V, ±1.25V 0 to 10V, 0 to 5V, 0 to 2.5V, 0 to 1.25V
A/D Pacing (software programmable)	Internal counter - 82C54. Positive or negative edge, jumper selectable.
	External source (pin25), Positive or negative edge, software selectable.
	Software polled
A/D Trigger (only available when internal pacing selected, software enable/disable)	External edge trigger (pin 25), Positive or negative edge, software selectable.
A/D Gate (only available when internal pacing selected, software enable/disable)	External gate (pin 25), High or Low level, software selectable.
Simultaneous Sample and Hold Trigger	TTL output (pin 26), jumper enabled. Logic 0 = Hold, Logic 1 = Sample Compatible with CIO-SSH16
Burst Mode	Software selectable option, burst interval = 10uS
Data Transfer	From 1024 sample FIFO via interrupt w/ REPINSW
	Interrupt
	Software polled
Interrupt	INTA# - mapped to IRQn via PCI BIOS at boot-time
Interrupt enable	Programmable through PLX9052
Interrupt polarity	Active high level or active low level, programmable through PLX9052
Interrupt Sources (software programmable)	End of Conversion
	FIFO not Empty
	End of Burst
	End of Acquisition
	FIFO Half Full
A/D conversion time	10µs max
Throughput	100KHz
Common Mode Range	±10V min
CMRR @ 60Hz	-100dB typ, -80dB min
Input leakage current	±3nA max
Input impedance	10 MOhms min
Absolute maximum input voltage	+55/-40V fault protected via input mux

### Accuracy

Typical Accuracy	±2.3 LSB
Absolute Accuracy	±5.0 LSB
<b>Accuracy Components</b>	
Gain Error	Trimmable by potentiometer to 0
Offset Error	Trimmable by potentiometer to 0
PGA Linearity Error	±1.3 LSB typ , ±10.0 LSB max
Integral Linearity Error	±0.5 LSB typ , ±3.0 LSB max
Differential Linearity Error	±0.5 LSB typ, ±2.0 LSB max

Each PCIM-DAS1602/16 is tested at the factory to assure the board's overall error does not exceed ±5 LSB.

Total board error is a combination of Gain, Offset, Differential Linearity and Integral Linearity error. The theoretical absolute accuracy of the board may be calculated by summing these component errors. Worst case error is realized only in the unlikely event that each of the component errors are at their maximum level, and causing error in the same direction.

### Analog Input Drift

Range	Analog Input Full-Scale Gain	Analog Input Zero Drift	Overall Analog Input Drift
+/- 10.00V	2.2 LSB/°C max	1.8 LSB/°C max	4.0 LSB/°C max
+/- 5.000V	2.2 LSB/°C max	1.9 LSB/°C max	4.1 LSB/°C max
+/- 2.500V	2.2 LSB/°C max	2.0 LSB/°C max	4.2 LSB/°C max
+/- 1.250V	2.2 LSB/°C max	2.3 LSB/°C max	4.5 LSB/°C max
0 - 10.00V	4.1 LSB/°C max	1.9 LSB/°C max	6.0 LSB/°C max
0 - 5.000V	4.1 LSB/°C max	2.1 LSB/°C max	6.2 LSB/°C max
0 - 2.500V	4.1 LSB/°C max	2.4 LSB/°C max	6.5 LSB/°C max
0 - 1.250V	4.1 LSB/°C max	3.0 LSB/°C max	7.1 LSB/°C max

Absolute error change per °C Temperature change is a combination of the Gain and Offset drift of many components. The theoretical worst case error of the board may be calculated by summing these component errors. Worst case error is realized only in the unlikely event that each of the component errors are at their maximum level, and causing error in the same direction.

### Noise Performance

The following table summarizes the worst case noise performance for the PCIM-DAS1602/16. Noise distribution is determined by gathering 50000 samples with inputs tied to ground at the PCIM-DAS1602/16 main connector. Data is for both Single-Ended and Differential modes of operation.

Noise Performance	Range	±2 counts	±1 count	Max Counts	LSBrms*
	+/- 10.00V	97%	80%	11	1.7
	+/- 5.000V	97%	80%	11	1.7
	+/- 2.500V	96%	79%	11	1.7
	+/- 1.250V	96%	79%	11	1.7
	0 - 10.00V	88%	65%	15	2.3
	0 - 5.000V	88%	65%	15	2.3
	0 - 2.500V	83%	61%	15	2.3
	0 - 1.250V	83%	61%	16	2.4

\* Input noise is assumed to be Gaussian. An RMS noise value from a Gaussian distribution is calculated by dividing the peak-to-peak bin spread by 6.6

### Crosstalk

Crosstalk is defined here as the influence of one channel upon another when scanning two channels at the specified per channel rate for a total of 50000 samples. A full scale 100Hz triangle wave is input on Channel 1. Channel 0 is tied to Analog Ground at the 100 pin user connector. The table below summarizes the influence of Channel 1 on Channel 0 and does not include the effects of noise.

<i>Crosstalk</i>	<i>Range</i>	<i>1 kHz Crosstalk (LSB<sub>pk-pk</sub>)</i>	<i>10 kHz Crosstalk (LSB<sub>pk-pk</sub>)</i>	<i>50 kHz Crosstalk (LSB<sub>pk-pk</sub>)</i>
	±10.000V	4	13	24
	±5.000V	2	7	18
	±2.500V	2	5	16
	±1.250V	3	4	14
	0V to +10.000V	4	8	23
	0V to +5.000V	2	5	16
	0V to +2.500V	2	4	16
	0V to +1.250V	3	3	16

### Analog Output Section

D/A converter type	MX7548
Resolution	12 bits
Number of channels	2
Channel Type	Single-ended Voltage Output
Output Range (jumper selectable per output)	±10V, ±5V, 0 to 10V, or 0 to 5V using onboard references, or user defined using external reference
Reference Voltage (jumper selectable)	On Board, -10V and -5V External Independent (D/A0 pin 10 and D/A1 pin 26)
External Reference Voltage Range	±10V max
External Reference Input Impedance	10KOhm min
Data transfer	Programmed I/O
Throughput	System dependent. Using the Universal Library programmed output function (cbAout) in a loop, in Visual Basic, a typical update rate of 400Khz can be expected on a 300MHz Pentium II based PC.
Monotonicity	Guaranteed monotonic over temperature
Slew Rate	2.0V/μs min
Settling Time	30uS max to ±½ LSB for a 20V step
Current Drive	±5 mA min
Output short-circuit duration	Indefinite @25mA
Output coupling	DC
Output impedance	0.1 ohms max
Output Stability	Any passive load
Coding	Offset Binary <ul style="list-style-type: none"> <li>• Bipolar Mode: 0 code = Vref 4095 code = -Vref - 1LSB, Vref &lt; 0V -Vref + 1LSB, Vref &gt; 0V</li> <li>• Unipolar Mode: 0 code = 0V, 4095 code = -Vref - 1LSB, Vref &lt; 0V -Vref + 1LSB, Vref &gt; 0V</li> </ul>
Output voltage on power up and reset	0V ± 10mV

### **Accuracy**

Typical Accuracy	±1 LSB
Absolute Accuracy	±2 LSB
<b>Accuracy Components</b>	
Gain Error	Trimmable by potentiometer to 0
Offset Error	Trimmable by potentiometer to 0
Integral Linearity Error	±0.5 LSB typ, ±1 LSB max
Differential Linearity Error	±0.5 LSB typ, ±1 LSB max

Total board error is a combination of Gain, Offset, Differential Linearity and Integral Linearity error. The theoretical absolute accuracy of the board may be calculated by summing these component errors. Worst case error is realized only in the unlikely event that each of the component errors are at their maximum level, and causing error in the same direction.

### **Analog Output Drift**

Analog Output Full-Scale Gain drift	±0.22 LSB/°C max
Analog Output Zero drift	±0.22 LSB/°C max
Overall Analog Output drift	±0.44 LSB/°C max

Absolute error change per °C Temperature change is a combination of the Gain and Offset drift of many components. The theoretical worst case error of the board may be calculated by summing these component errors. Worst case error is realized only in the unlikely event that each of the component errors are at their maximum level, and causing error in the same direction.

## **Digital Input / Output Section**

### **Digital I/O Connector**

Digital Type	82C55
Number of I/O	24
Configuration per 82C55	2 banks of 8 and 2 banks of 4 or 3 banks of 8 or • 2 banks of 8 with handshake
Input High	2.0 volts min, 5.5 volts absolute max
Input Low	0.8 volts max, -0.5 volts absolute min
Output High	3.0 volts min @ -2.5mA
Output Low	0.4 volts max @ 2.5mA
Power-up / reset state	Input mode (high impedance)
Pull-Up/Pull-Down Resistors	User installed. Dual footprint allows pull-up or pull-down configuration

### **Main Connector**

Digital Output Type	74LS244, power up / reset to LOW logic level
Digital Input Type	74LS373, pulled to logic high via 10K resistors
Number of I/O	8
Configuration	4 fixed input, 4 fixed output
Output High	2.7 volts @ -0.4mA min
Output Low	0.5 volts @ 8mA max
Input High	2.0 volts min, 7 volts absolute max
Input Low	0.8 volts max, -0.5 volts absolute min

**Counter Section** \*Note: Pins 21, 24, and 25 are pulled to logic high via 10K resistors.

Counter type	82C54
Configuration	3 down-counters, 16 bits each
Counter 1 Source (software selectable)	External source from main connector (pin 21*)
	100 kHz internal source
Counter 1 Gate	External gate from main connector (pin 24*)
Counter 1 Output	Available at main connector (pin 2)
Counter 2 Source (jumper selectable)	Internal 1 MHz
	Internal 10 MHz
Counter 2 Gate (software enable/disable)	External source from main connector (pin 25*)
Counter 2 Output	Internal only, chained to Counter 3 Source
Counter 3 Source	Counter 2 Output
Counter 3 Gate (software enable/disable)	External source from main connector (pin 25*)
Counter 3 Output	Available at main connector (pin 20) Programmable as ADC Pacer clock.
Clock input frequency	10 MHz max
High pulse width (clock input)	30 ns min
Low pulse width (clock input)	50 ns min
Gate width high	50 ns min
Gate width low	50 ns min
Input High	2.0 volts min, 5.5 volts absolute max
Input Low	0.8 volts max, -0.5 volts absolute min
Output High	3.0 volts min @ -2.5 mA
Output Low	0.4 volts max @ 2.5 mA
Crystal Oscillator Frequency	10 MHz
Frequency accuracy	50 ppm

**Environmental**

Operating Temperature Range	0 to 70°C
Storage Temperature Range	-40 to 100°C
Humidity	0 to 95% non-condensing

**Mechanical**

Card dimensions	PCI custom type card: 107mm H x 18.5mm W x 216 mm L
-----------------	---

## Main Connector and Pin Out

Connector type	37 pin male "D" connector
Connector Compatibility	Identical to CIO-DAS1602/16 Connector

### Differential Analog Input Mode:

<i>Pin</i>	<i>Signal Name</i>	<i>Pin</i>	<i>Signal Name</i>
1	+5V PC BUS POWER	20	CTR 3 OUT
2	CTR 1 OUT	21	CTR 1 CLOCK IN
3	DIG OUT 3	22	DIG OUT 2
4	DIG OUT 1	23	DIG OUT 0
5	DIG IN 3	24	DIG IN 2 / CTR1 GATE
6	DIG IN 1	25	DIG IN 0 / EXT TRIG / EXT PACER / EXT GATE
7	DIG GND	26	D/A1 REF IN / SS&H OUT
8	-5V REF OUT	27	D/A 1 OUT
9	D/A 0 OUT	28	AGND
10	D/A0 REF IN	29	AGND
11	CH7 LO	30	CH7 HIGH
12	CH6 LO	31	CH6 HIGH
13	CH5 LO	32	CH5 HIGH
14	CH4 LO	33	CH4 HIGH
15	CH3 LO	34	CH3 HIGH
16	CH2 LO	35	CH2 HIGH
17	CH1 LO	36	CH1 HIGH
18	CH0 LO	37	CH0 HIGH
19	AGND		

### Single-Ended Analog Input Mode:

<i>Pin</i>	<i>Signal Name</i>	<i>Pin</i>	<i>Signal Name</i>
1	+5V PC BUS POWER	20	CTR 3 OUT
2	CTR 1 OUT	21	CTR 1 CLOCK IN
3	DIG OUT 3	22	DIG OUT 2
4	DIG OUT 1	23	DIG OUT 0
5	DIG IN 3	24	DIG IN 2 / CTR1 GATE
6	DIG IN 1	25	DIG IN 0 / EXT TRIG / EXT PACER / EXT GATE
7	DIG GND	26	D/A1 REF IN / SS&H OUT
8	-5V REF OUT	27	D/A 1 OUT
9	D/A 0 OUT	28	AGND
10	D/A0 REF IN	29	AGND
11	CH15 HIGH	30	CH7 HIGH
12	CH14 HIGH	31	CH6 HIGH
13	CH13 HIGH	32	CH5 HIGH
14	CH12 HIGH	33	CH4 HIGH
15	CH11 HIGH	34	CH3 HIGH
16	CH10 HIGH	35	CH2 HIGH
17	CH9 HIGH	36	CH1 HIGH
18	CH8 HIGH	37	CHO HIGH
19	AGND		

## Digital Input / Output Connector and Pin Out

Connector Type	40-pin header
Connector Compatibility	Identical to CIO-DAS1602/16 Connector

<i>Pin</i>	<i>Signal Name</i>	<i>Pin</i>	<i>Signal Name</i>
1	NC	2	+5V PC BUS POWER
3	NC	4	DIG GND
5	PORT B 7	6	PORT C 7
7	PORT B 6	8	PORT C 6
9	PORT B 5	10	PORT C 5
11	PORT B 4	12	PORT C 4
13	PORT B 3	14	PORT C 3
15	PORT B 2	16	PORT C 2
17	PORT B 1	18	PORT C 1
19	PORT B 0	20	PORT C 0
21	DIG GND	22	PORT A 7
23	NC	24	PORT A 6
25	DIG GND	26	PORT A 5
27	NC	28	PORT A 4
29	DIG GND	30	PORT A 3
31	NC	32	PORT A 2
33	DIG GND	34	PORT A 1
35	+5V PC BUS POWER	36	PORT A 0
37	DIG GND	38	NC
39	NC	40	NC

**For your notes.**



## EC Declaration of Conformity

We, Measurement Computing Corp., declare under sole responsibility, that the product:

<u>PCIM-DAS1602/16</u>	<u>PCI Bus, analog and digital I/O board</u>
Part Number	Description

to which this declaration relates, meets the essential requirements, is in conformity with, and CE marking has been applied according to the relevant EC Directives listed below using the relevant section of the following EC standards and other normative documents:

**EU EMC Directive 89/336/EEC:** Essential requirements relating to electromagnetic compatibility.

**EU 55022 Class B:** Limits and methods of measurements of radio interference characteristics of information technology equipment.

**EN 50082-1:** EC generic immunity requirements.

**IEC 801-2:** Electrostatic discharge requirements for industrial process measurement and control equipment.

**IEC 801-3:** Radiated electromagnetic field requirements for industrial process measurements and control equipment.

**IEC 801-4:** Electrically fast transients for industrial process measurement and control equipment.

Carl Haapaoja, Director of Quality Assurance

**Measurement Computing Corporation**  
**16 Commerce Boulevard,**  
**Middleboro, MA 02346**  
**Telephone: (508) 946-5100**  
**Fax: (508) 946-9500**  
**E-mail: [info@MeasurementComputing.com](mailto:info@MeasurementComputing.com)**  
**[www.MeasurementComputing.com](http://www.MeasurementComputing.com)**