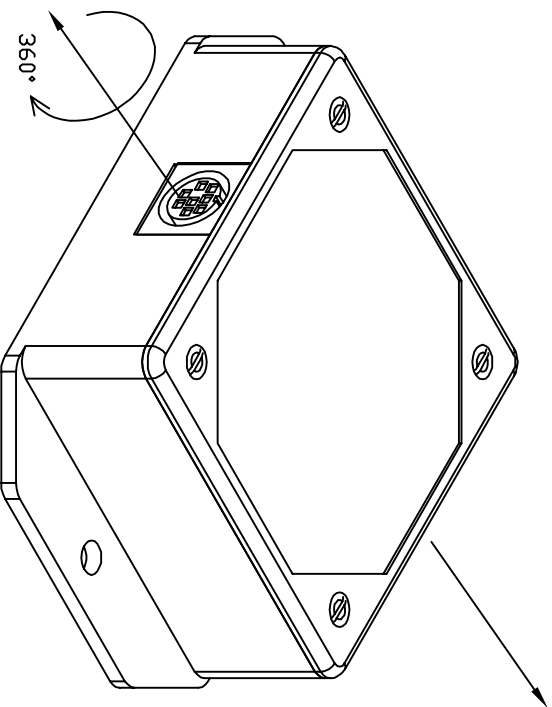
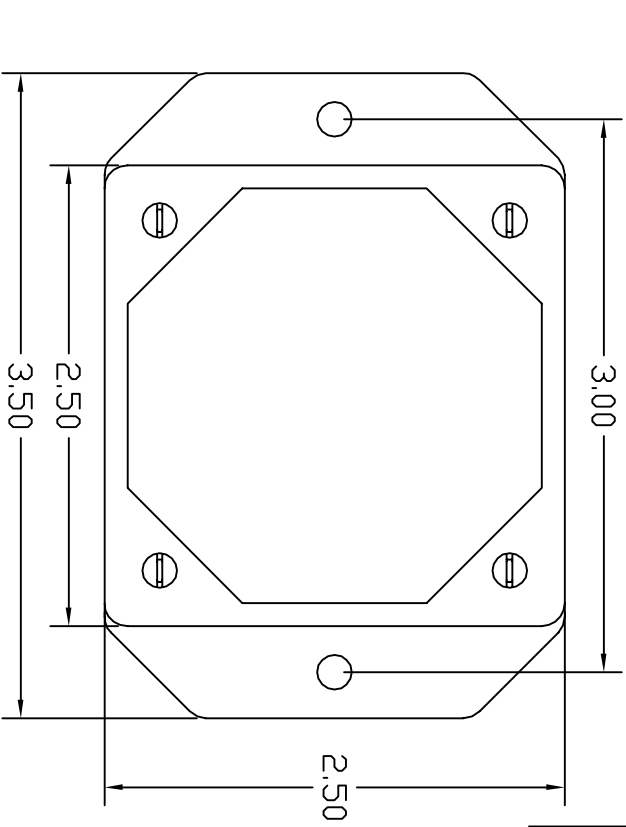


(C) MICROSTRAIN, INC. 1998. ALL RIGHTS RESERVED.
 THIS DRAWING AND SPECIFICATIONS ARE THE PROPERTY OF
 MICROSTRAIN INC. AND SHALL NOT BE REPRODUCED WITHOUT
 PERMISSION FROM MICROSTRAIN INC.

REVISIONS			
ZONE	REV	DESCRIPTION	DATE

3025-0003

APPROVED



UNLESS OTHERWISE SPECIFIED ALL
 DIMENSIONS ARE IN INCHES.
 TOLERANCES (UNOS)
 FRACTIONS: +/-1/64
 DECIMALS: .XX +/--.01
 .XXX +/--.005
 ANGLES: +/- 0.5 DEGREES
 SURFACE FINISH: 63 MICRONS

FAS-G ORIENTATION

MicroStrain

294 N. WINOOSKI AVE.
 BURLINGTON, VT
 (P) 802-862-6629

TITLE

DRAWN BY: STEVEN MUNDELL

SIZE A

CAGE CODE: 0XYZ9

DWG NO. 3025-0003

REV -

APPROVED BY:

SCALE

DATE: 30 NOV 2001

SHEET 1 OF 1