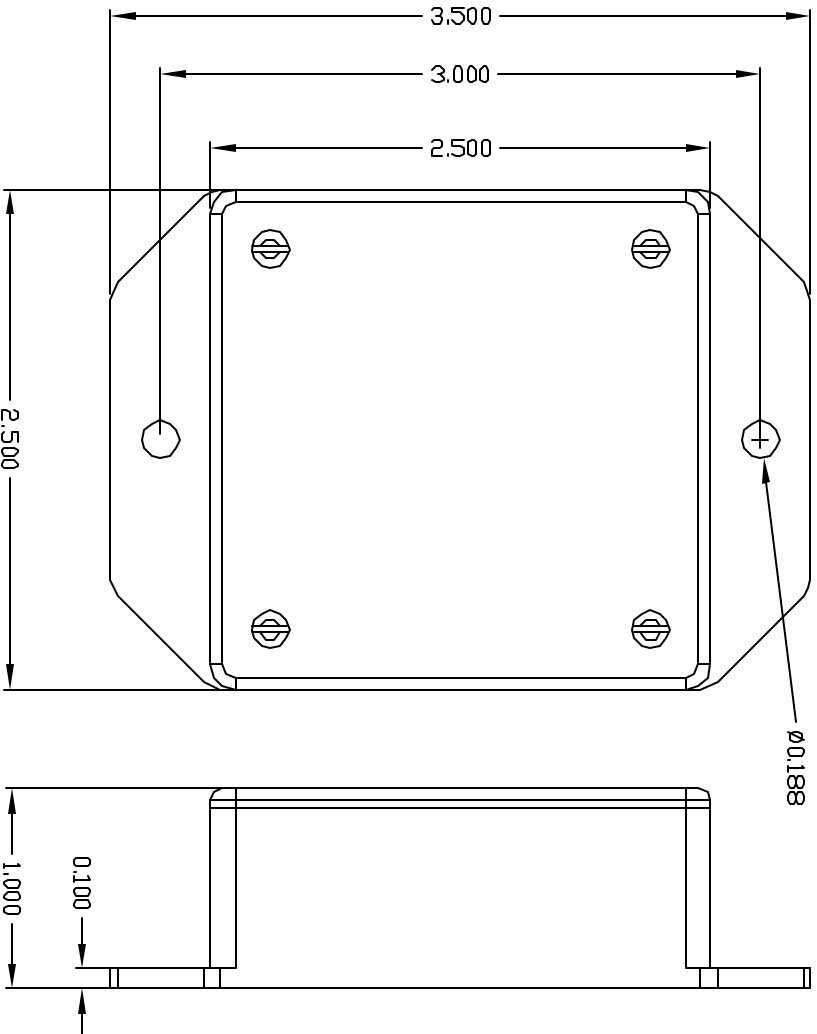
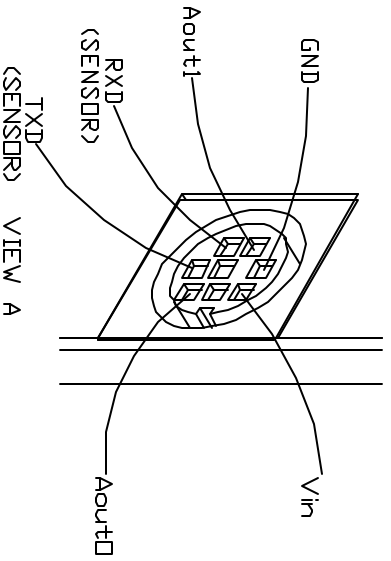
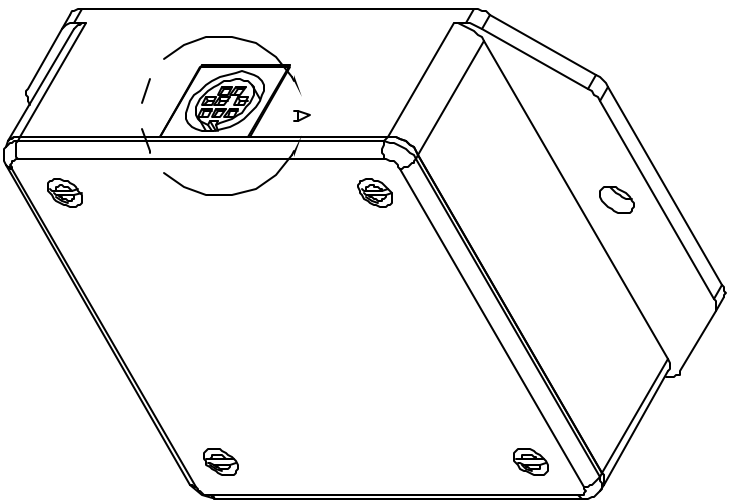


(C) MICROSTRAIN, INC. 1998. ALL RIGHTS RESERVED.
 THIS DRAWING AND SPECIFICATIONS ARE THE PROPERTY OF
 MICROSTRAIN INC. AND SHALL NOT BE REPRODUCED WITHOUT
 PERMISSION FROM MICROSTRAIN INC.



REVISIONS		3025-0002		
ZONE	REV	DESCRIPTION	DATE	APPROVED

UNLESS OTHERWISE SPECIFIED ALL
 DIMENSIONS ARE IN INCHES.
 TOLERANCES (UOS)
 FRACTIONS: $\pm 1/64$
 DECIMALS: .XX $\pm .01$
 .XXX $\pm .005$
 ANGLES: ± 0.5 DEGREES
 SURFACE FINISH: 63 MICROINCHES

MicroStrain 294 N. Winooski Ave.
 Burlington, VT
 (P) 802-862-6629

TITLE
FAS-G CONNECTOR DETAIL

DRAWN BY: Steven Mundell
 APPROVED BY:

SIZE: A
 CAGE CODE: 0XYZ9
 DWG NO.: 3025-0002
 SCALE: 1:1
 DATE: 9 NOV 2001
 SHEET: 1 OF 1
 REV: -