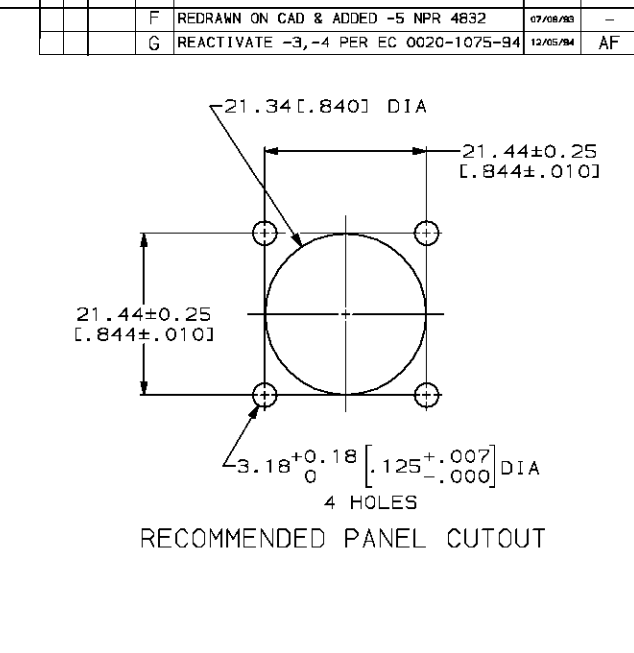
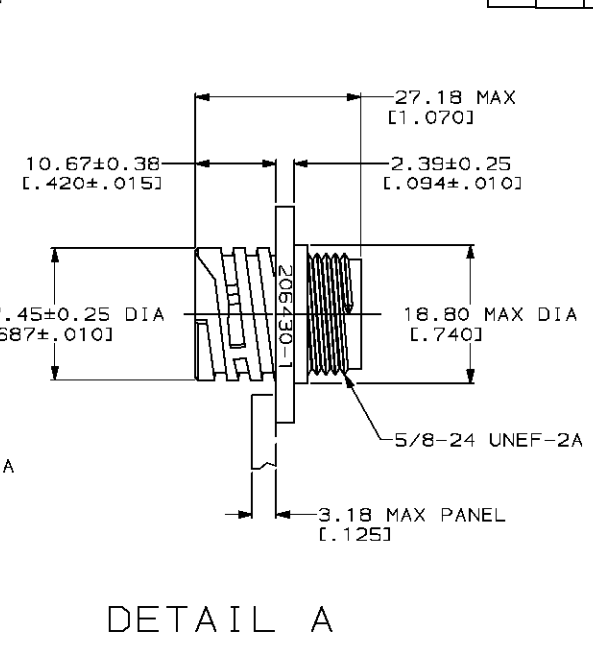
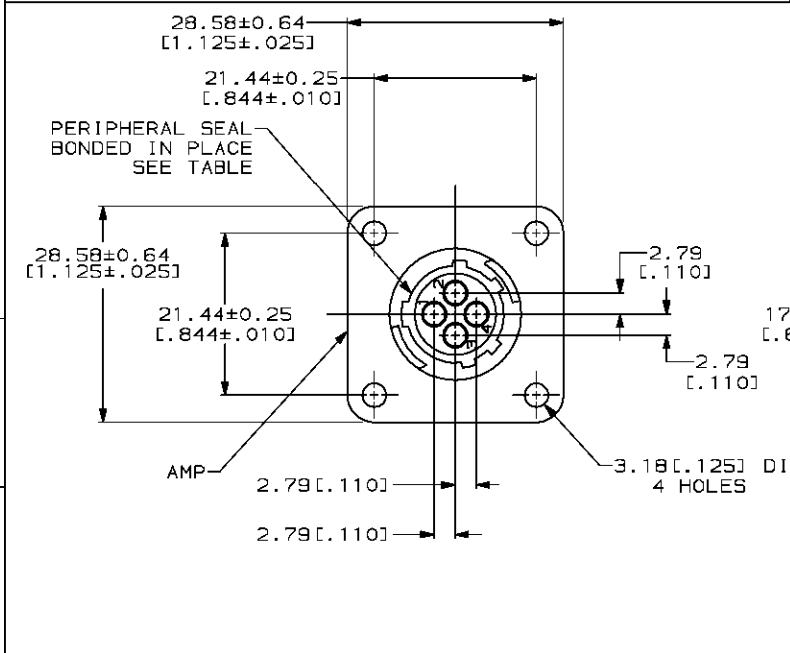
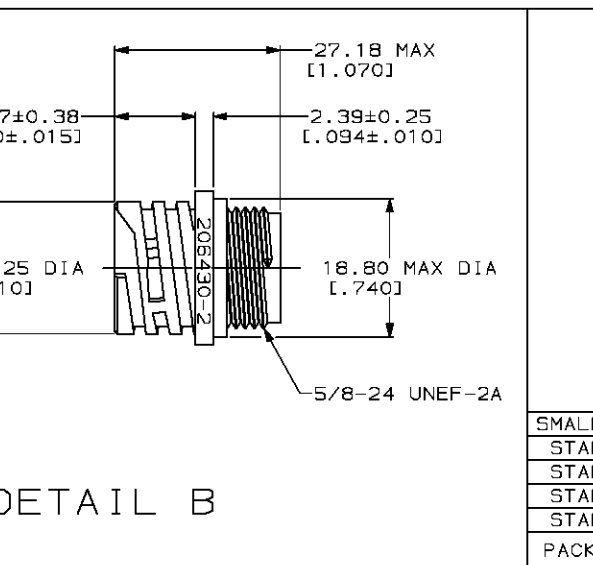
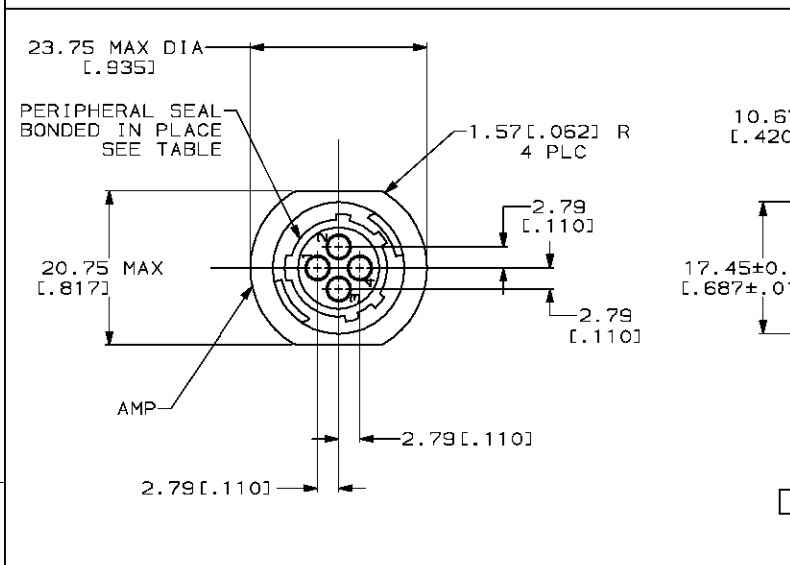


NO		LOC		DIST		P		F		REVISIONS		DATE	APPD
ZONE	LTR	DESCRIPTION											
	F	REDRAWN ON CAD & ADDED -5 NPR 4832								07/08/93	-		
	G	REACTIVATE -3, -4 PER EC 0020-1075-94								12/05/94	AF		



DETAIL A



DETAIL B

SMALL PACK	NO	A	206430-5
STANDARD	YES	B	206430-4
STANDARD	YES	A	206430-3
STANDARD	NO	B	206430-2
STANDARD	NO	A	206430-1
PACKAGING	PERIPHERAL SEAL	SEE DETAIL	PART NO

1. CAVITY IDENTIFICATION ON FRONT AND REAR FACE.
2. WILL ACCEPT FOUR (4) MULTIMATE SOCKET CONTACTS.

DO NOT SCALE PRINT. UNLESS SPECIFIED DIMENSIONS IN mm [INCHES] TOLERANCES ON: 2 PLC DEC ± 0.13 [0.005] 3 PLC DEC ± - ANGLES ± -	DR 09/09/92 W. LENKER CHK 08/11/93 R. STONE APPD 08/13/93 A. FRANTUM APPD 08/13/93 A. FRANTUM PRODUCT SPEC 108-10024	AMP Incorporated Harrisburg, PA 17105-3608
MATERIAL NYLON, BLACK	FINISH -	NAME RECEPTACLE HOUSING, REVERSE SEX, SHELL SIZE 11, CPC
THIS DRAWING IS A CONTROLLED DOCUMENT FOR AMP INCORPORATED. IT IS SUBJECT TO CHANGE AND THE CONTROLLING ENGINEERING ORGANIZATION SHOULD BE CONTACTED FOR THE LATEST REVISION.	APPLICATION SPEC -	SIZE C CAGE CODE 00779 DRAWING NO C-206430
	WEIGHT -	SCALE 2:1 SHEET 1 OF 1