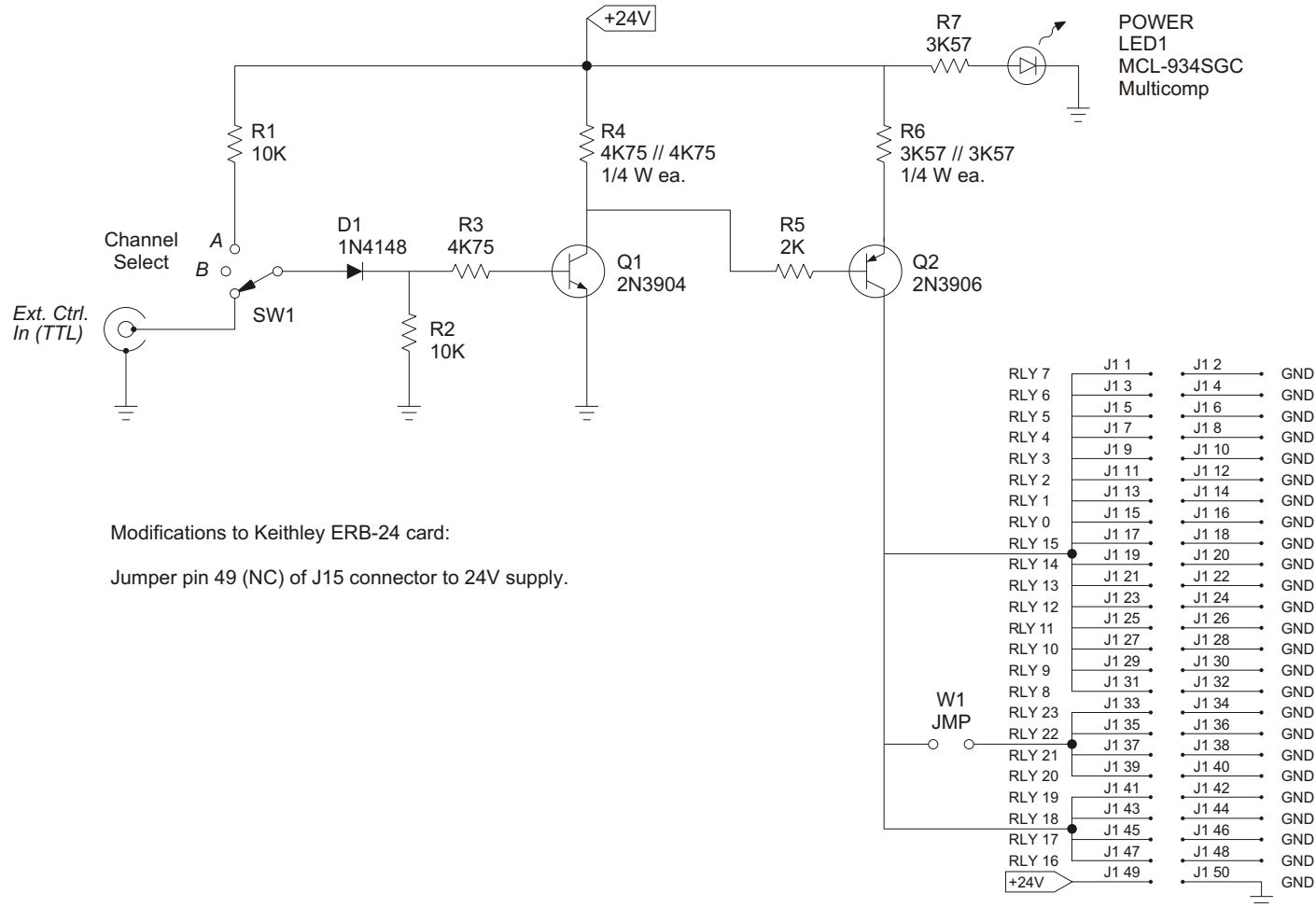


Interface board between the front panel and the Keithley relay card.



Modifications to Keithley ERB-24 card:

Jumper pin 49 (NC) of J15 connector to 24V supply.

ATTACH 50-PIN CABLE
TO J15 OF KEITHLEY
ERB-24 RELAY CARD.

McGill University
Dept. Biomedical Engineering
3775 University St., Rm 316
Montreal, QC, H3A 2B4

REKLAB
Switch Module Ver 1.0
August 29, 2001

by Ross Wagner