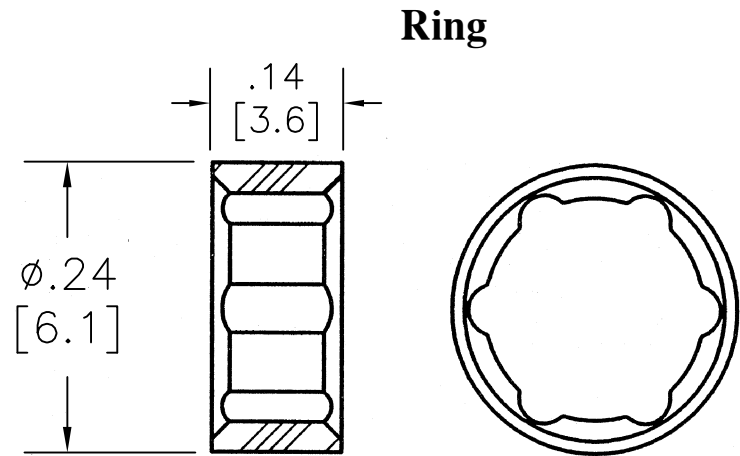
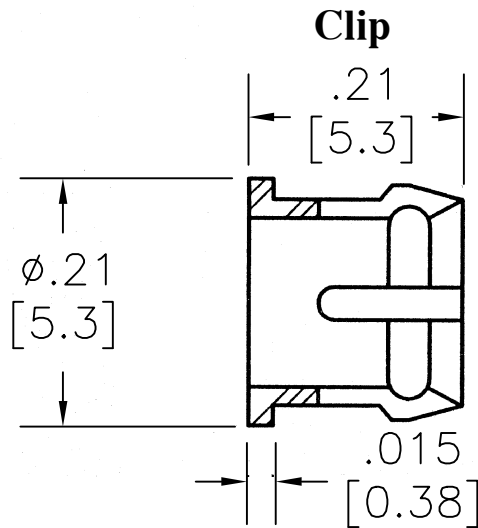
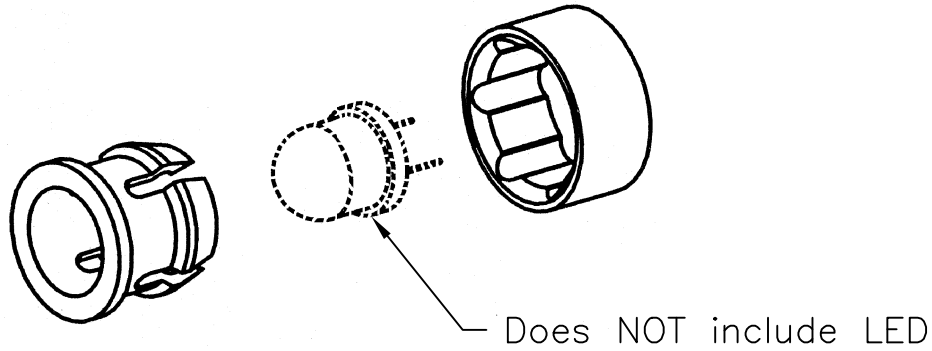


© COPYRIGHT 1998 BY SPC TECHNOLOGY. ALL RIGHTS RESERVED. NO PORTION OF THIS PUBLICATION, WHETHER IN WHOLE OR IN PART CAN BE REPRODUCED WITHOUT THE EXPRESS WRITTEN CONSENT OF SPC TECHNOLOGY.

REVISIONS			DOC. NO. SPC-F005, Total Pages: 2 Effective: 7/15/97. DCP No: 229 Supersedes DCP No: 103					
DCP #	REV	DESCRIPTION	DRAWN	DATE	CHECKD	DATE	APPRVD	DATE
392	A	Released	J.W.M.	7/14/98	J.C.	7/30/98	D.J.C.	7/30/98



NOTES:

1. Material: Nylon
2. Clip: UL94V-0
3. Ring: UL94V-2
4. Color: Black
5. For LED type: T-1

<small>DISCLAIMER: ALL STATEMENTS AND TECHNICAL INFORMATION CONTAINED HEREIN ARE BASED UPON INFORMATION AND/OR TESTS WE BELIEVE TO BE ACCURATE AND RELIABLE. SINCE CONDITIONS OF USE ARE BEYOND OUR CONTROL, THE USER SHALL DETERMINE THE SUITABILITY OF THE PRODUCT FOR THE INTENDED USE AND ASSUME ALL RISK AND LIABILITY WHATSOEVER IN CONNECTION THEREWITH.</small>										
Tolerances Unless Otherwise Specified: .XX = ±.010 .XXX = ±.005 Frac. = ±1/64 Ang = ±1°	DRAWN BY: Jeff McVicker	DATE: 5/18/98	DRAWING TITLE: LED Holder Set (Clip and Ring)							
	CHECKED BY: Jon Cole	DATE: 7/29/98	<table border="1" style="width: 100%;"> <tr> <th>SIZE</th> <th>DWG. NO.</th> <th>ELECTRONIC FILE</th> <th>REV</th> </tr> <tr> <td style="text-align: center;">A</td> <td style="text-align: center;">2599</td> <td style="text-align: center;">92N4814.dwg</td> <td style="text-align: center;">A</td> </tr> </table>	SIZE	DWG. NO.	ELECTRONIC FILE	REV	A	2599	92N4814.dwg
SIZE	DWG. NO.	ELECTRONIC FILE	REV							
A	2599	92N4814.dwg	A							
APPROVED BY: Daniel Carey	DATE: 7/30/98	SCALE: NTS	U.O.M.: INCHES [mm]							
		SHEET: 1 OF 1								